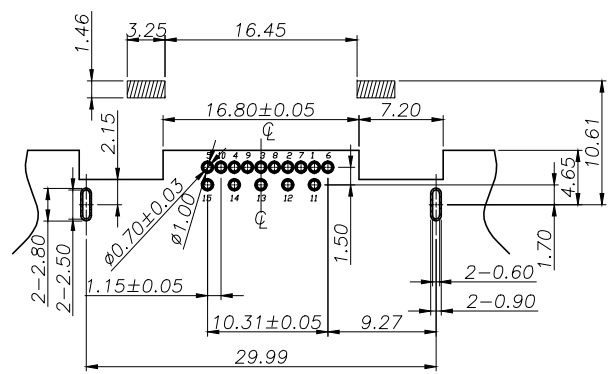
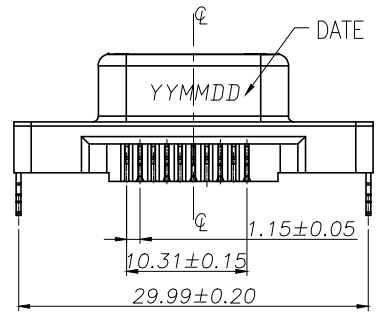
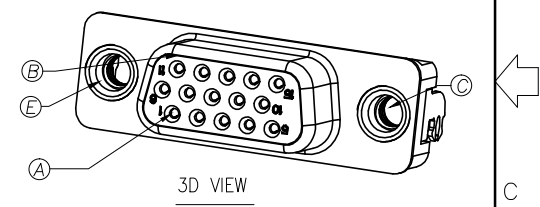
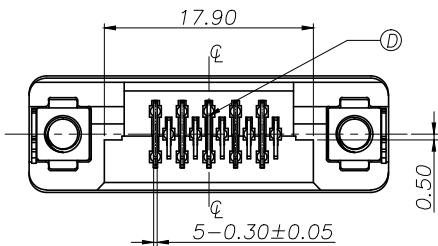
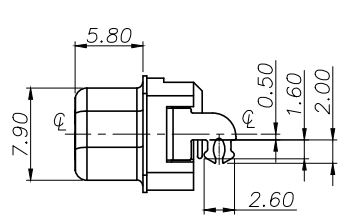
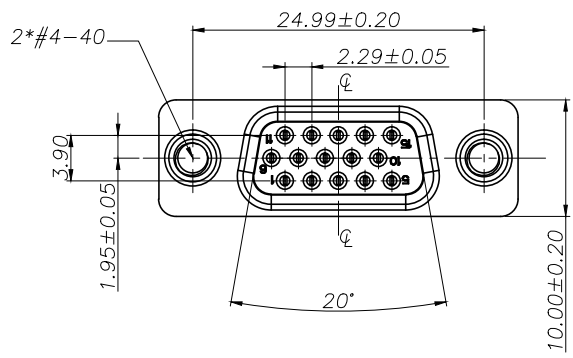
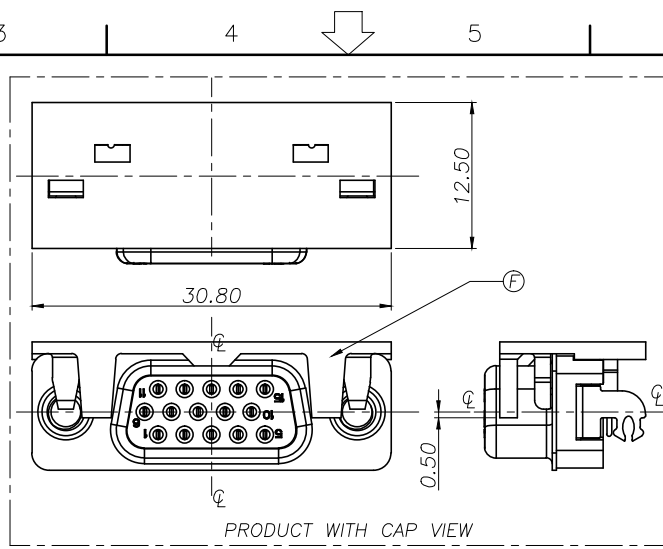
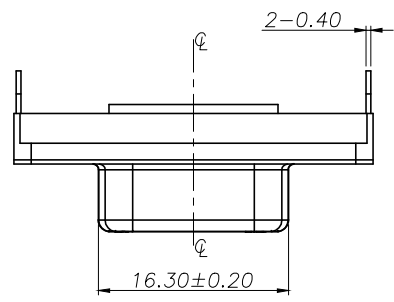


REV.	ECN NO OR DESCRIPTION	REVISED	DATE
A	PDR NO:S160422-1A	jttlucky	2016.10.24

SPECIFICATIONS

1. Voltage: 250 VAC(RMS) Max.
2. Current Rating: 3 Ampere per Contact
3. Contact Resistance: 25 mΩ Max.
4. Insulation Resistance: 1000 Megohms Min.
5. Dielectric Withstanding Voltage: 500 VAC
6. Total Mating Force: 6.0 Kgf Max. Mate connector at a rate of 25 ± 6 mm per minute.
7. at a rate of 25 ± 6 mm per minute.
8. LIFE TEST: 5,000 CYCLES.
9. Operating Temperature: -55°C to +85°C
10. TO CONFORM TO THE SINGATRON HAZARDOUS SUBSTANCE FREE SPEC.
11. HALOGEN FREE PRODUCT IDENTIFICATION LABEL ON PACKAGING:
12. PACKAGING: TAPE & REEL
13. PRINTED DATE CODE "YYMMDD" ON TOP OF CONNECTOR.  
 DD: DAY  
 MM: MONTH  
 YY: YEAR



Recommended P.C.B Layout(THK:1.30mm)

TOLERANCE=±0.05 (TOP VIEW)

GAP STAND OFF RAPRODUCT STAND OFF

F	CAP	1	HIGH TEMP. THERMOPLASTIC	BLACK
E	RIVET	2	Copper Alloy Ø5.0	Ni 80u"Min
D	CONTACT	15	H65 T=0.30mm	50"AU PLATED ON CONTACT AREA, 100U"MATTE TIN PLATING ON SOLDER TAILS, 80U"ALL OVER NICKEL PLATING.
C	BOARKLOOK	2	STAINLESS STEEL	MATTE TIN 80u"Min
B	SHELL	1	SPCC T=0.35mm	BACK Ni 80u"Min
A	HOUSING	1	HIGH TEMP. THERMOPLASTIC UL 94V-0	BLACK
NO.	MATERIAL	QTY	MATERIAL	PLATING & COLOR

UNLESS OTHERWISE SPECIFIED TOLERANCES		Singatron Enterprise Co., Ltd. 信音企業股份有限公司	
DECIMALS:	ANGLES:	TITLE	SLIM HD D-SUB 15P, R/A, DIP, C,H=0.50mm
X :±0.5	X :±2°	DWN	jttlucky PART NO. 2DS3Y58-015111F
X.X :±0.3	X.X :±1°	CHKD	James SCALE:1:1 UNIT: mm
X.XX :±0.2		APVD	Boye SIZE: A3 SHEET:1 OF 1 REV: A
<b>CUSTOMER COPY</b>			