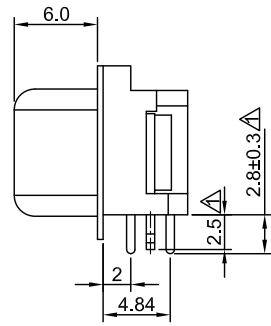
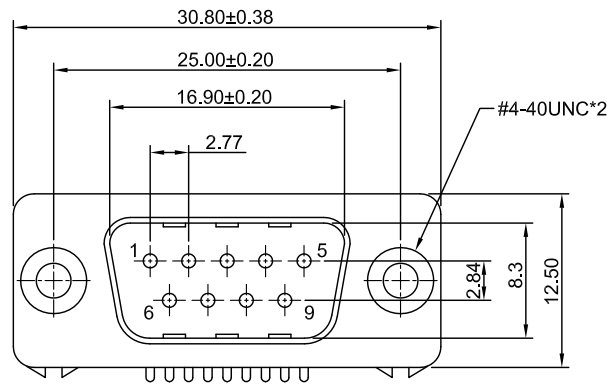


REV.	ECN.	DATE	DWN	APVD
A.1	ECN-070111-01	07/01/11	TRACY	HENRY



MATERIAL:

INSULATOR : PBT, UL 94V-0.
 CONTACT : COPPER ALLOY.
 CONTACT FINISH : GOLD OVER NICKEL.
 SHELL : STEEL, NICKEL PLATED.
 BOARDLOCK : BRASS, TIN PLATED.
 RIVETED INSERT : BRASS, NICKEL PLATED.

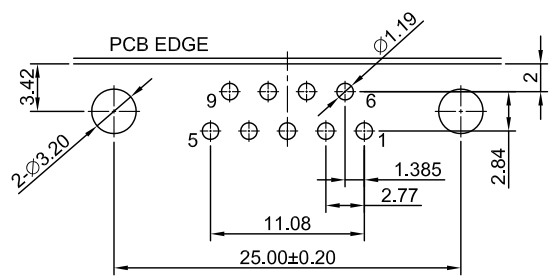
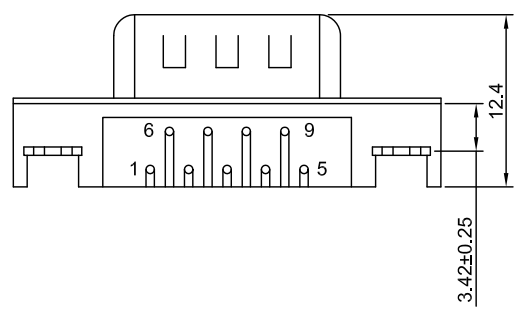
SPECIFICATION:

CURRENT RATING : 5 AMP.
 DIELECTRIC WITHSTANDING VOLTAGE : 1000V AC FOR 1 MINUTE.
 INSULATION RESISTANCE : 1000MΩ MIN. AT 500V DC.
 CONTACT RESISTANCE : 15mΩ MAX.
 OPERATING TEMPERATURE : -55°C ~ +105°C.

ORDER INFORMATION :

2DS95 - 09 1 1 1 B 1 0 0 - R
 1 2 3 4 5 6 7 8 9 10

- | | |
|---|---|
| 1. SERIES NUMBER:
09 | 6. INSULATOR MATERIAL:
B=PBT |
| 2. POSITION:
09 | 7. SHELL PLATING:
1=NICKEL |
| 3. CONTACT TYPE:
1=MALE/COPPER ALLOY | 8. GROUNDING OPTION:
0=RIVET W/BOARDLOCK |
| 4. CONTACT PLATING:
1=SELECTIVE GOLD FLASH | 9. MATING OPTION:
0=4#40 THREAD RIVET
1=FIXED HEX-SCREWS 4.8X11.8mm
7=LOOSE HEX-SCREWS |
| 5. INSULATOR COLOR:
1=BLACK | 10. GREEN PRODUCT:
R=RoHS COMPLIANT |



Singatron Enterprise Co., Ltd.				
TITLE	D-SUB CONN RIGHT ANGLE ,9 PIN MALE FOOTPRINT : 2.0mm			
DWN	JEAN	PART NO. 2DS95-09111B100-R		
CHKD	06-29-2005	SCALE 1:1	UNIT: mm	④
APVD	HENRY	SIZE: A3	SHEET: 1 OF 1	REV: A.1
CUSTOMER COPY				

GENERAL TOLERANCE	X.X ± 0.25
	X.XX ± 0.15
	X.XXX ± 0.05
ANGLE TOLERANCE ± 1°	
RADIUS ± 0.25	
HOLE ± 0.13	