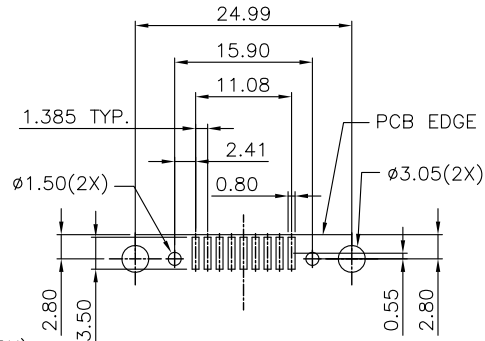
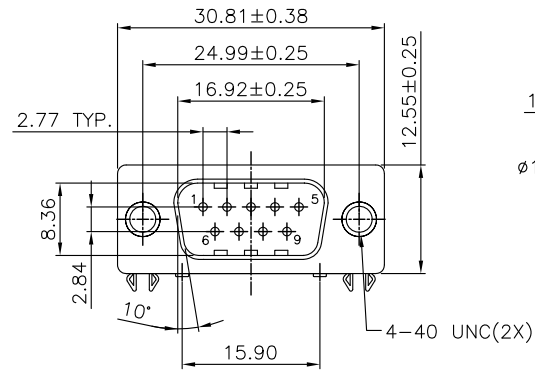
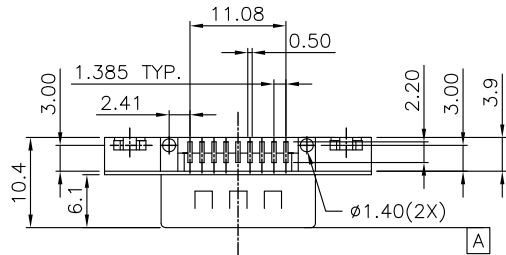
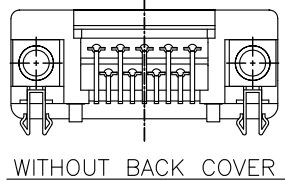
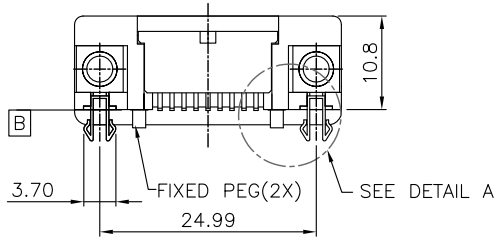


**ROHS**



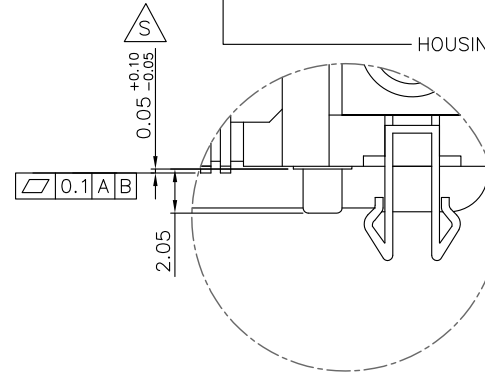
PIN NUMBER:  
5 9 4 8 3 7 2 6 1  
RECOMMENDED PCB LAYOUT  
TOLERANCE:±0.05(TOP VIEW)



NOTES:

- MATERIAL:  
HOUSING:HIGH TEMP THERMOPLASTIC,UL94V-0  
TERMINAL:PHOSPHOR BRONZE  
METAL SHELL:SPCC  
BOARD LOCK & NUT:BRASS
- PLATING:  
TERMINAL:  
CONTACT AREA:SELECTIVE GOLD(Au) PLATING  
SOLDER TAIL:TIN(Sn),THICKNESS=100 MICROINCH MIN.(2.54 MICRONCH MIN.)  
UNDER PLATE:NICKEL(Ni),THICKNESS=50 MICROINCH MIN.(1.27 MICROMETER MIN.)  
METAL SHELL:  
NICKEL(Ni),THICKNESS=80 MICROINCH MIN.(2.032 MICROMETER MIN.)  
UNDER PLATE:COPPER(Cu),THICKNESS=40 MICROINCH MIN.(1.016 MICROMETER MIN.)  
BOARD LOCK:  
TIN(Sn),THICKNESS=80 MICROINCH MIN.(2.032 MICROMETER MIN.)  
UNDER PLATE:NICKEL(Ni),THICKNESS=50 MICROINCH MIN.(1.27 MICROMETER MIN.)  
NUT:NICKEL(Ni),THICKNESS=50 MICROINCH MIN.(1.27 MICROMETER MIN.)
- RECOMMENDED PCB THICKNESS:1.60±0.05mm
- SPEC DOCUMENT NUMBER: PS-SM-0002
- PART NUMBER:

2DSMT1\*XR-E9P-N-\*\*-\*\*  
BACK COVER OPTION-N/A:WITH  
01:WITHOUT  
PLATING OPTION-AT:30u" GOLD  
BT:15u" GOLD  
CT:GOLD FLASH  
HOUSING COLOR-N/A:BLACK  
C:PANTONE #322C,TURQUOISE



DETAIL A  
SCALE 3:1

REV.	ECN NO.	DAIE	APPR.
R	RD-140197	07/22/2014	KIMI
S	RD-140482	12/09/2014	KIMI

Singatron Enterprise Co., Ltd.

TOLERANCE	
X.X	±0.30
X.XX	±0.20
X.XXX	±0.10
ANGULAR	± 3 °

TITLE	D SUBMINIATURE, RIGHT ANGLE,SURFACE-MOUNT LOW PROFILE 9 POSITION, MALE		
DWN	LINDA12.09.14	PART NO.	2DSMT1*XR-E9P-N-**-**
CHKD	JERRY12.09.14	SCALE	1:1 UNIT: mm
APVD	KIMI12.09.14	SIZE: A3	SHEET:1 OF 1 REV: S

CUSTOMER COPY