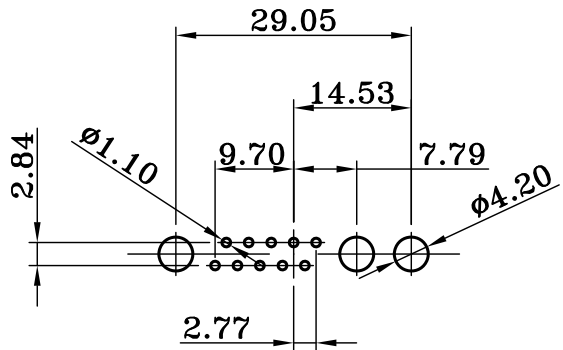
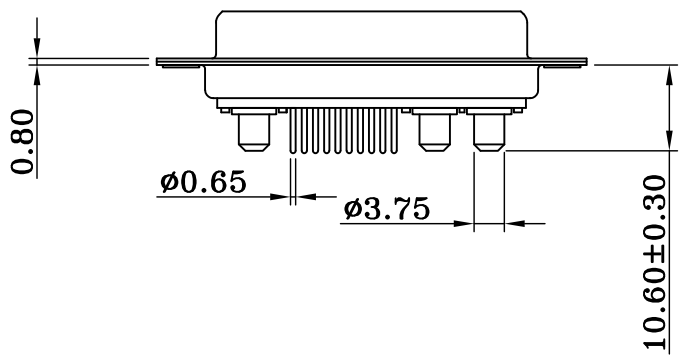
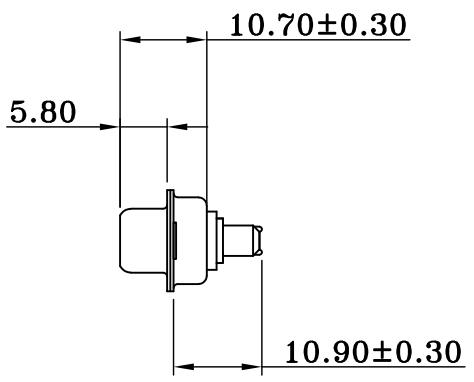
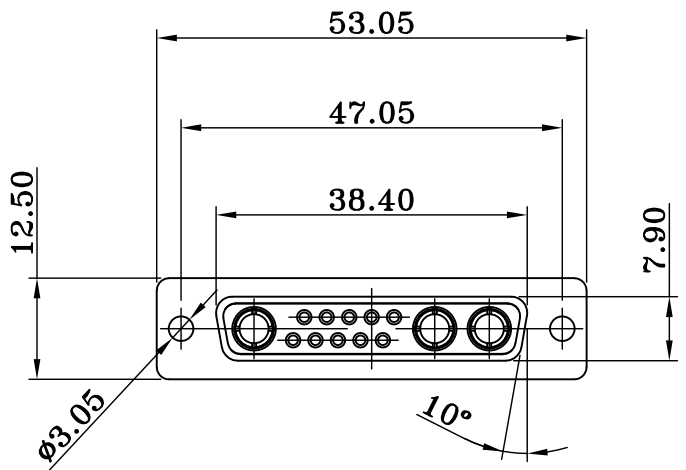


1 2 3 4 5 6 7 8

F
E
D
C
B
A



P.C.B LAYOUT

MATERIALS AND FINISH

SHELL : STEEL MATERIAL, FRONT SHELL NICKEL FINISHED
 BACK SHELL NICKEL FINISHED
 DIMPLES ON PLUG ONLY
 INSULATOR : PBT THERMOPLASTIC, 30% GLASS FILLED,
 UL 94V-0 RATED, BLACK COLOR
 SIGNAL CONTACT : COPPER ALLOY, FULL GOLD FLASH
 HIGH POWER CONTACT : COPPER ALLOY, FULL GOLD FLASH

ELECTRICAL CHARACTERISTICS

HIGH POWER CONTACT CURRENT RATING : 40 A
 HIGH POWER CONTACT RESISTANCE : 1.0 mΩ MAX.
 SIGNAL CONTACT CURRENT RATING : 5.0 A
 SIGNAL CONTACT RESISTANCE : 10 mΩ MAX.
 DIELECTRIC WITHSTANDING VOLTAGE : 1000 V AC FOR 1 MINUTE
 INSULATION RESISTANCE : 5GΩ MIN.
 TEMPERATURE RATING : -55°C ~ +125°C

2014/05/08

Singatron Enterprise Co., Ltd.

13 Pin Female Connector

TOLERANCES	
X.	±0.40
.X	±0.30
.XX	±0.20
.XXX	±0.10
X°.	± 5°

TITLE	13 Pin Female Connector			
DWN	YU	PART NO.	2DST4000-13W3FNBO	
CHKD	HANS	SCALE	1:1	UNIT: mm
APVD	JORDAN	SIZE:	A3	SHEET: 1 OF 1
				REV: A

CUSTOMER COPY

1 2 3 4 5 6 7 8