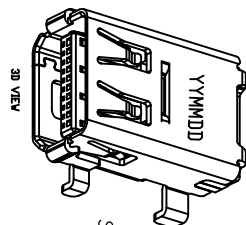
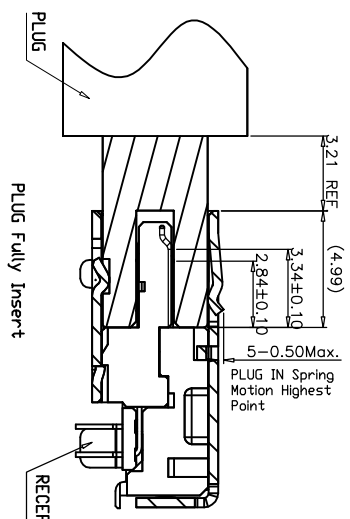
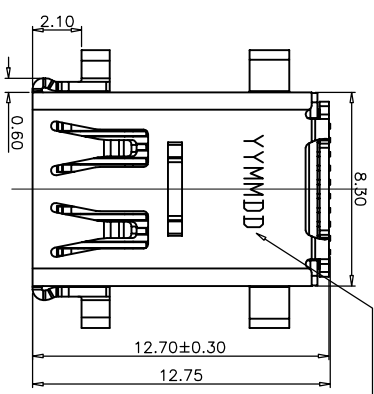
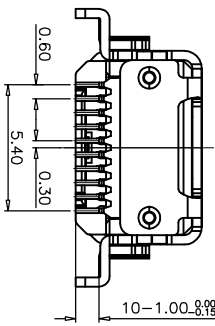
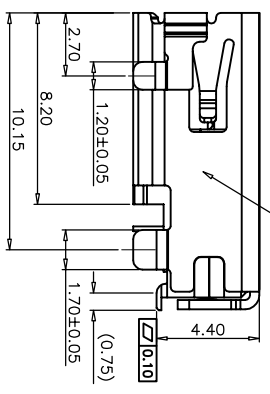
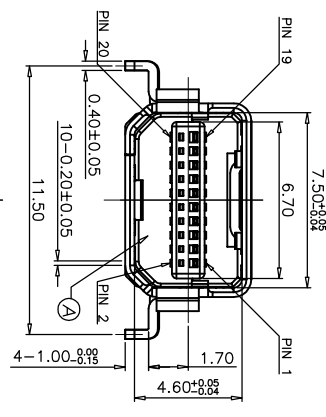


DATE CORD: YYMMDD
 (YY=YEAR; MM=MONTH; DD=DAY) (E)



SPECIFICATIONS:

1. ELECTRICAL CHARACTERISTICS:
 - 1-1. CURRENT RATING: 0.5 AMP.
 - 1-2. VOLTAGE RATING: 40V.
 - 1-3. CONTACT RESISTANCE: 30mΩ MAX.
 - 1-4. INSULATION RESISTANCE: 100MΩ MIN. @ 500V DC.
 - 1-5. DIELECTRIC WITHSTANDING VOLTAGE: 500V AC FOR 1 MINUTE.
2. MECHANICAL CHARACTERISTICS:
 - 2-1. INSERTION FORCE: 4.5Kgf MAX.
 - 2-2. WITHDRAWAL FORCE: 1.0~4.0Kgf.
3. LIFE TEST: 10 000 CYCLES.
4. OTHER GENERAL SPEC. TO REFER "DISPLAY PORT SERIES SPEC."
5. TO CONFORM TO THE SINGATRON HAZARDOUS SUBSTANCE FREE SPEC.
6. HALOGEN FREE PRODUCT IDENTIFICATION LABEL ON PACKAGING.
7. PACKAGE: SEE "2DT1521 SERIES" PACKAGE.
8. FOR REFLOW SOLDERING LEAD-FREE PROCESS.



PART NO.
 2DT1521-11011F

C.H: 1.7mm
 SUFFIX: HALOGEN FREE
 PACKAGE
 1: TAPE AND REEL
 HOUSING COLOR
 1: BLACK
 CONTACT PLATING
 1: GOLD FLASH PLATED ON CONTACT AREA,
 GOLD FLASH ON SOLDER AREA,
 NICKEL UNDERPLATED OVERALL.

