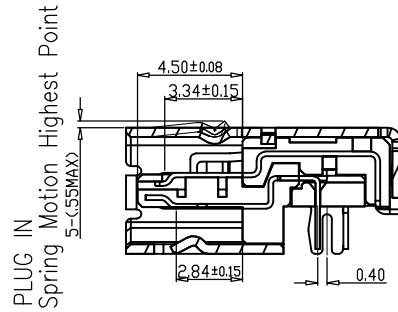
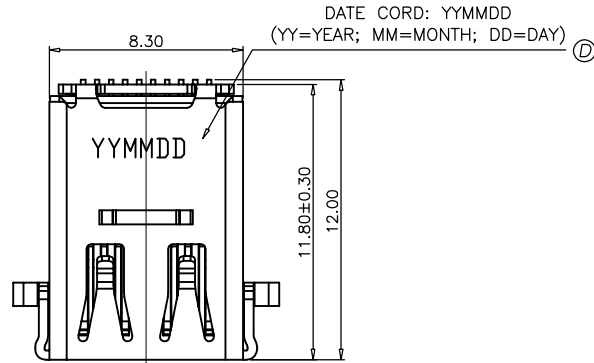


REV.	ECN NO OR DESCRIPTION	REVISED	DATE
A	PDR RELEASE	IVY-C	2013.10.24
B	ECN NO: L150135	IVY-C	2015.11.24



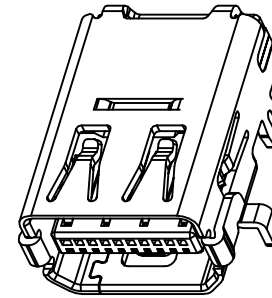
SPECIFICATIONS:

- ELECTRICAL CHARACTERISTICS:
  - CURRENT RATING: 0.5 AMP.
  - VOLTAGE RATING: 40V.
  - CONTACT RESISTANCE: 10mΩ MAX.
  - INSULATION RESISTANCE: 100MΩ MIN. @ 500V DC.
  - DIELECTRIC WITHSTANDING VOLTAGE: 500V AC FOR 1 MINUTE.
- MECHANICAL CHARACTERISTICS:
  - INSERTION FORCE: 4.5Kgf MAX.
  - WITHDRAWAL FORCE: 1.0~4.0Kgf.
- LIFE TEST: 10,000 CYCLES.
- OTHER GENERAL SPEC. TO REFER "2DT1522 SERIES SPEC".
- TO CONFORM TO THE SINGATRON HAZARDOUS SUBSTANCE FREE SPEC.
- HALOGEN FREE PRODUCT IDENTIFICATION LABEL ON PACKAGING:
- PACKAGE: SEE "2DT1522 SERIES" PACKAGE.
- FOR REFLOW SOLDERING LEAD-FREE PROCESS.

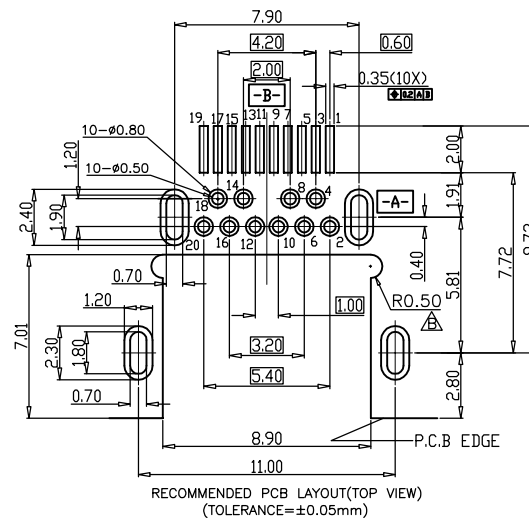
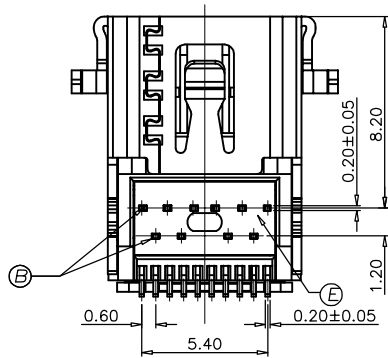
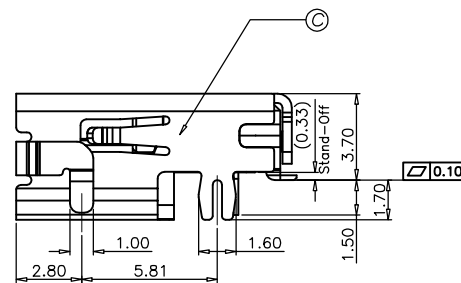
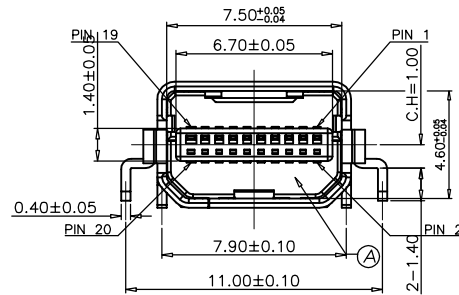
PART NO.  
2DT1522-000111F

- SUFFIX: HALOGEN FREE
- PACKAGE: 1: TAPE AND REEL
- HOUSING COLOR: 1: BLACK
- CONTACT PLATING

- 1: GOLD PLATING 1~3u" ON CONTACT AREA,
- MATTE TIN PLATING 60~200u" ON SOLDER AREA,
- NICKEL PLATING 30~100u" UNDERPLATED OVERALL



3D VIEW



E	COVER	1	HIGH TEMP. THERMO-PLASTIC, UL 94V-0	BLACK
D	INK	-	INK	BLACK
C	SHELL	1	STAINLESS STEEL	NICKEL PLATED
B	CONTACT	20	COPPER ALLOY	SEE PART NO.
A	HOUSING	1	HIGH TEMP. THERMO-PLASTIC, UL 94V-0	BLACK

NO	DESCRIPTION	QTY	MATERIAL	PLATING & COLOR
UNLESS OTHERWISE SPECIFIED TOLERANCES		Singatron Enterprise Co., Ltd. 信音企業股份有限公司		
DECIMALS:	ANGLES:	TITLE: MINI DISPLAY PORT RECEPTACLE, SINKING, C.H=1.00mm		
X : ±0.5	X : ±2°	DWN	IVY-C 2015.11.24	PART NO. 2DT1522-000111F
X.X : ±0.3	X.X : ±1°	CHKD	ANGELA2015.11.24	SCALE: 1:1 UNIT: mm
X.XX : ±0.2		APVD	ANGELA2015.11.24	SIZE: A3 SHEET: 1 OF 1 REV: B
<b>CUSTOMER COPY</b>				