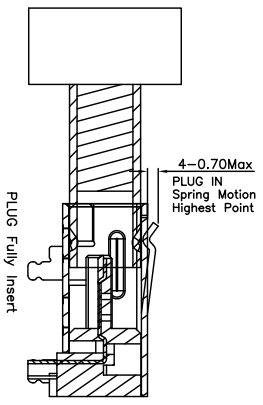
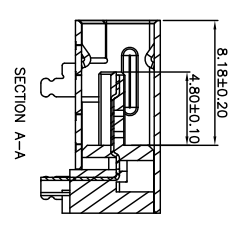
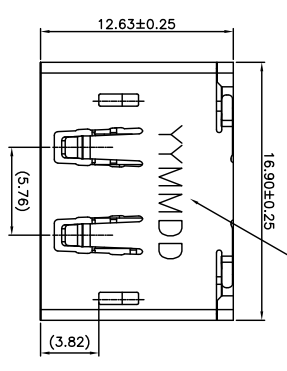


REV.	ECN NO OR DESCRIPTION	REVISED	DATE
A	PDR RELEASE	Even	2019.08.12

DATE CORO: YYMMDD
(YY=YEAR; MM=MONTH; DD=DAY)



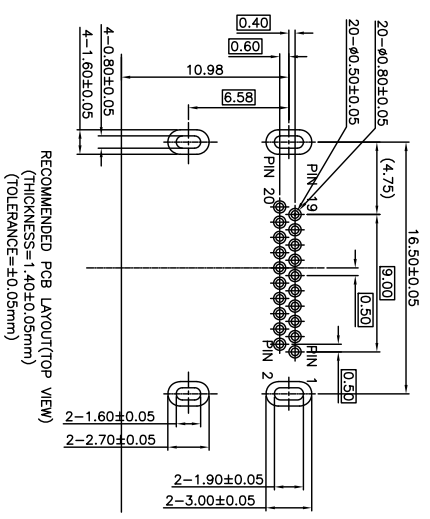
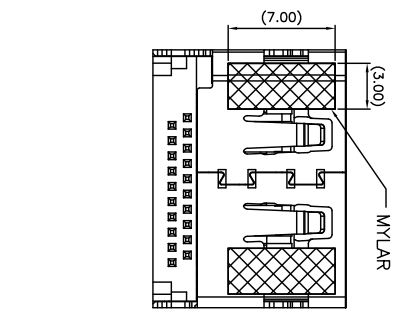
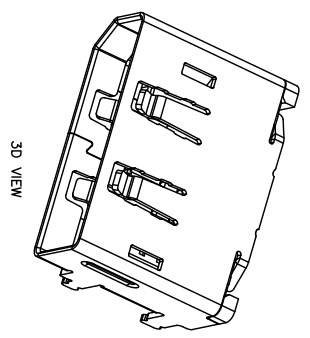
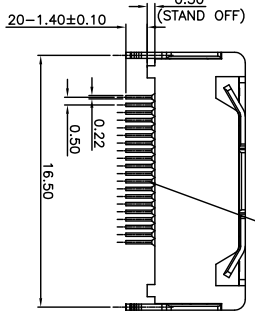
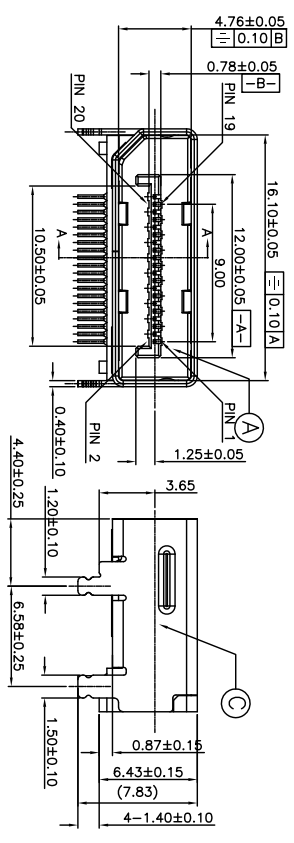
SPECIFICATIONS:

1. TO CONFORM TO THE SINGATRON HAZARDOUS SUBSTANCE FREE SPEC.
2. HALOGEN FREE PRODUCT IDENTIFICATION LABEL ON PACKAGING:
3. PACKAGE: SEE "2D11532-000111F" PACKAGE.
4. FOR REFLOW SOLDERING LEAD-FREE PROCESS.
5. OTHER GENERAL SPEC. TO REFER "2D11532-000111F SPEC".



PART NO.
2D11532-000111F

- SUFFIX: HALOGEN FREE
- PACKAGE: 1: TAPE AND REEL
- HOUSING COLOR: 1: BLACK
- CONTACT PLATING: 1: GOLD FLASH ON CONTACT AREA, 60U" MIN. MATTE TIN PLATED ON SOLDER AREA, 40U" MIN. NICKEL UNDERPLATE OVER ALL.



RECOMMENDED PCB LAYOUT(TOP VIEW)
(THICKNESS=1.40±0.05mm)
(TOLERANCE=±0.05mm)

D	MYLAR	2	LIGHT YELLOW
C	SHELL	1	SUS 304
B	CONTACT	20	50U"Min BLACK NICKEL
A	HOUSING	1	SEE PART NO.
NO	DESCRIPTION	1	LCP E130L, UL94V-0
NO	MATERIAL		BLACK
NO	PLATING & COLOR		

UNLESS OTHERWISE SPECIFIED TOLERANCES

Singatron Enterprise Co., Ltd.
信亨企業股份有限公司

TITLE: DISPLAY PORT RECEPTACLE DIP TYPE, C,H=3.65mm
DWN: BEN 2019/08/12
CHKD: SCALE:1/1
APVD: ANGEL2019/08/12
SIZE: A3
SHEET: 1 OF 1
REV: A

CUSTOMER COPY