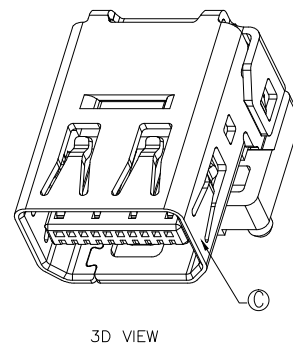
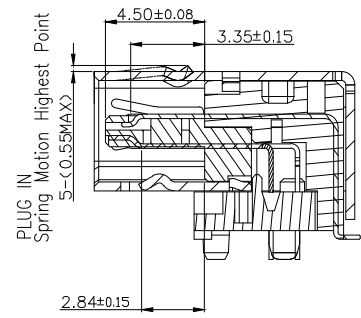
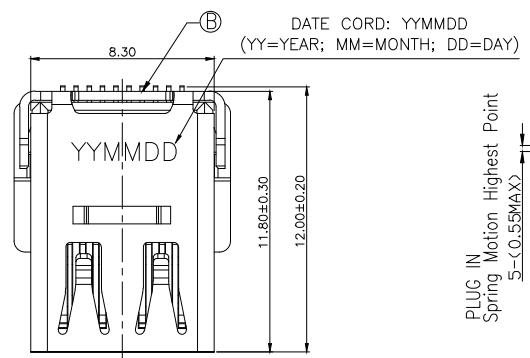


REV.	ECN NO OR DESCRIPTION	REVISED	DATE
A	PDR RELEASE	Even	2022.08.11

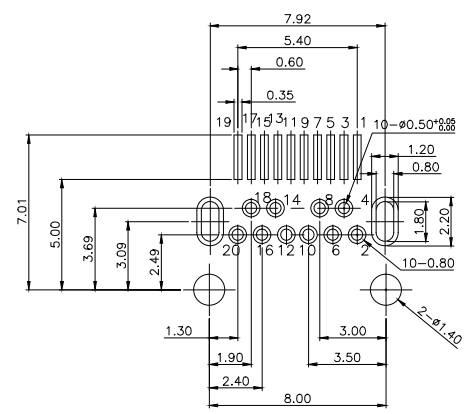
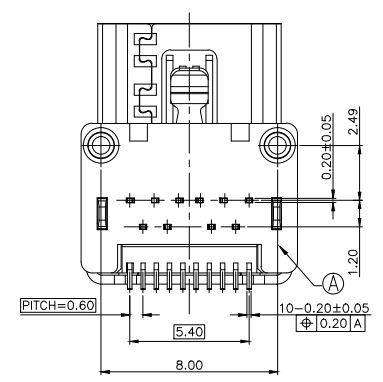
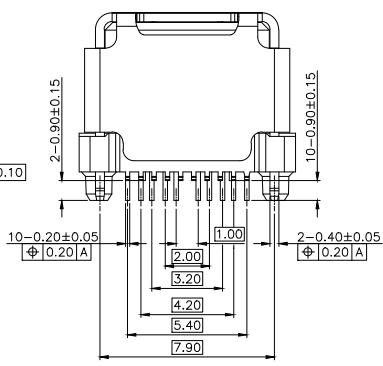
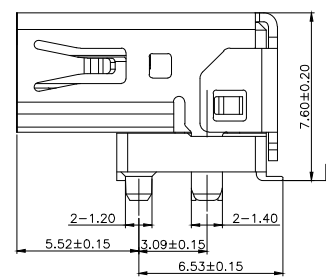
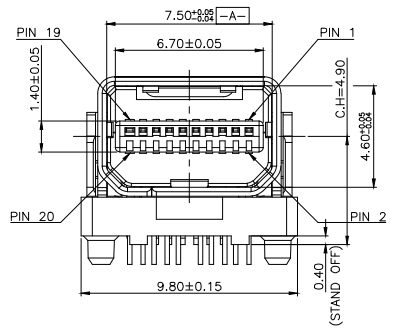


- SPECIFICATIONS:
1. TO CONFORM TO THE SINGATRON HAZARDOUS SUBSTANCE FREE SPEC.
  2. HALOGEN FREE PRODUCT IDENTIFICATION LABEL ON PACKAGING:
  3. PACKAGE: SEE "2DT1534-001211F" PACKAGE.
  4. FOR REFLOW SOLDERING LEAD-FREE PROCESS.
  5. OTHER GENERAL SPEC. TO REFER "2DT1534-001211F SPEC".



PART NO.  
2DT1534-001211F

- SUFFIX: HALOGEN FREE
- PACKAGE  
1: TAPE AND REEL
- HOUSING COLOR  
1: BLACK
- CONTACT PLATING  
2: 3u" GOLD ON CONTACT AREA,  
60u" MIN. MATTE TIN PLATED ON SOLDER AREA,  
50u" MIN. NICKEL UNDERPLATE OVER ALL.



RECOMMENDED PCB LAYOUT(TOP VIEW)  
(TOLERANCE=±0.05mm)

D	STOPPER	1	LCP UL 94V-0	BLACK
C	SHELL	1	SUS304	50u" MIN. BLACK NICKEL
B	CONTACT	20	C2680	SEE PART NO.
A	HOUSING	1	LCP UL 94V-0	BLACK
NO	DESCRIPTION	QTY	MATERIAL	PLATING & COLOR

UNLESS OTHERWISE SPECIFIED TOLERANCES		信音科技(香港)有限公司			
DECIMALS:	ANGLES:	TITLE	MINI DISPLAYPORT RECEPTACLE CONNECTOR		
X :±0.5	X :±2°	DWN	EVEN 2022.08.11	PART NO. 2DT1534-001211F	
X.X :±0.3	X.X :±1°	CHKD		SCALE:1/1	UNIT: mm
X.XX :±0.2		APVD	ANGELA2022.08.11	SIZE: A3	SHEET:1 OF 1
CUSTOMER COPY					