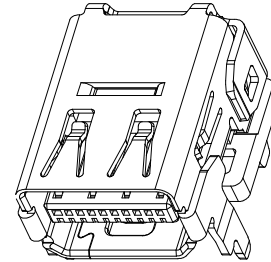
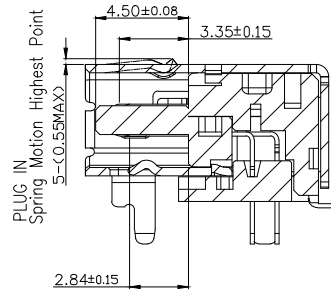
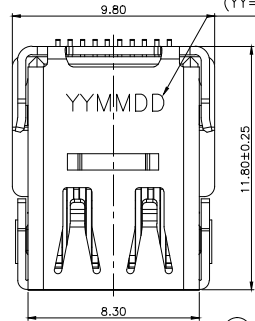


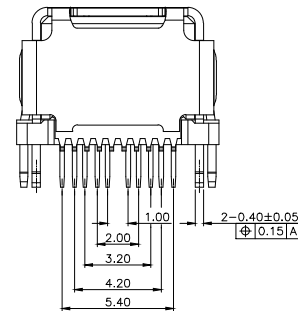
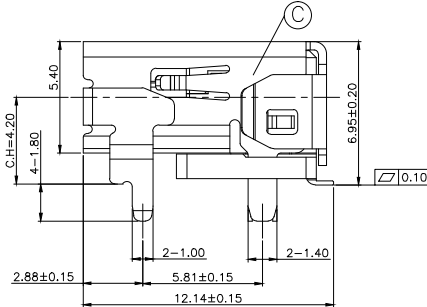
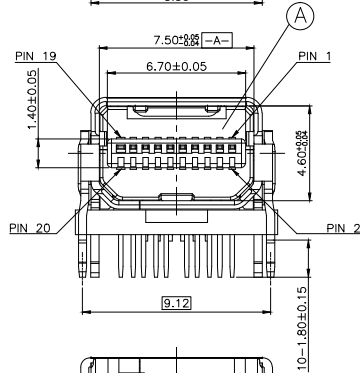
REV.	ECN NO OR DESCRIPTION	REVISED	DATE
A	PDR RELEASE	Even	2022.02.10

DATE CORD: YYMMDD  
(YY=YEAR; MM=MONTH; DD=DAY)



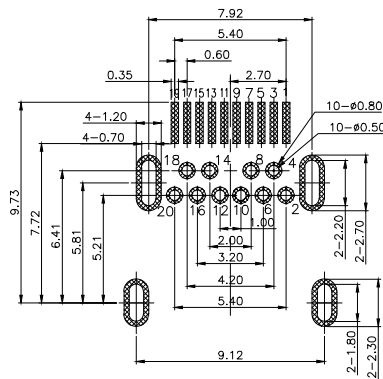
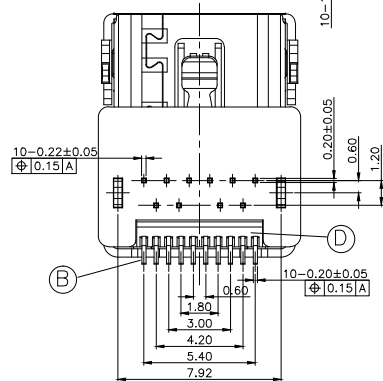
SPECIFICATIONS:

1. TO CONFORM TO THE SINGATRON HAZARDOUS SUBSTANCE FREE SPEC.
2. HALOGEN FREE PRODUCT IDENTIFICATION LABEL ON PACKAGING:
3. PACKAGE: SEE "2DT1537-000111F" PACKAGE.
4. FOR REFLOW SOLDERING LEAD-FREE PROCESS.
5. OTHER GENERAL SPEC. TO REFER "2DT1537-000111F SPEC".



PART NO.  
2DT1537-000111F

- SUFFIX: HALOGEN FREE
- PACKAGE  
1: TAPE AND REEL
- HOUSING COLOR  
1: BLACK
- CONTACT PLATING  
1: GOLD FLASH(1u" MIN.) ON CONTACT AREA,  
60u" MIN. MATTE TIN PLATED ON SOLDER AREA,  
50u" MIN. NICKEL UNDERPLATE OVER ALL.



RECOMMENDED PCB LAYOUT(TOP VIEW)  
(TOLERANCE=±0.05mm)

D	STOPPER	1	LCP E130I, UL94V-0	BLACK
C	SHELL	1	SUS304	NICKEL 50u" MIN.
B	CONTACT	20	C2680R-H	SEE PART NO.
A	HOUSING	1	LCP E130I, UL94V-0	BLACK
NO	DESCRIPTION	QTY	MATERIAL	PLATING & COLOR
UNLESS OTHERWISE SPECIFIED TOLERANCES			信音科技(香港)有限公司	
DECIMALS: X :±0.5 X.X :±0.3 X.XX :±0.2		ANGLES: X :±2° X.X :±1°		TITLE MINI DISPLAY PORT RECEPTACLE TYPE
DWN		ENEN 2022.02.10	PART NO. 2DT1537-000111F	A
CHKD		SCALE:1/1	UNIT: mm	
APVD		ANGELA2022.02.10	SIZE: A3	SHEET:1 OF 1 REV:A
CUSTOMER COPY				