

MATERIAL:

INSULATOR : PBT / NYLON 66.
 CONTACT : COPPER ALLOY.
 CONTACT FINISH : GOLD ON MATING END, TIN ON TERMINATION END, WITH ENTIRE CONTACT NICKEL UNDERPLATED.
 SHELL : SPCC, NICKEL PLATED.
 BOARDLOCK : STEEL / BRASS. TIN PLATED.

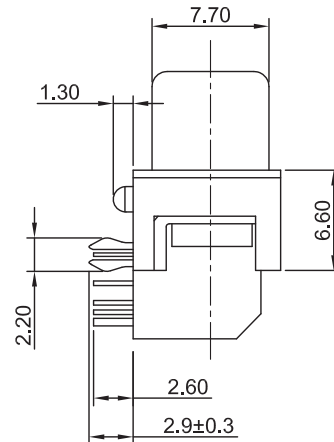
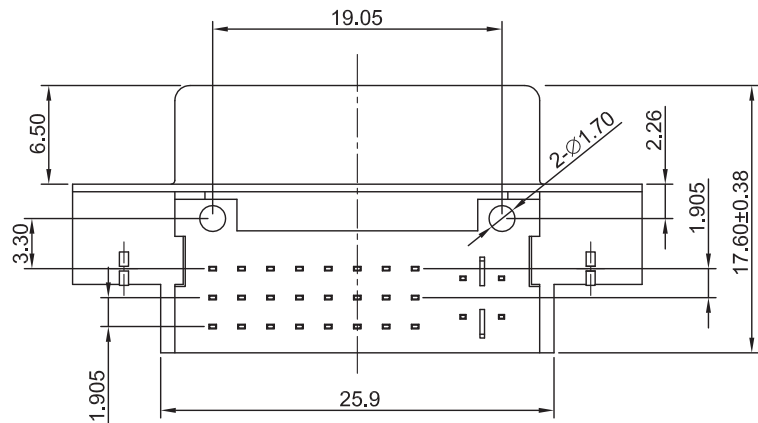
SPECIFICATION:

CURRENT RATING : 1.5 AMP.
 DIELECTRIC WITHSTANDING VOLTAGE : 500V AC FOR 1 MINUTE.
 INSULATION RESISTANCE : 1000MΩ MIN.
 CONTACT RESISTANCE : 30mΩ MAX.
 OPERATING TEMPERATURE : -20°C ~ +85°C.

ORDER INFORMATION :

2 D V 9 1 - 2 9 0 1 X C 1 0 X - R
 1 2 3 4 5 6 7 8 9 10

- | | |
|----------------------------------------------------|---------------------------------------------------------------------------------------------------------------------------------------------------------|
| 1. SERIES: | 6. INSULATOR MATERIAL:
C=NYLON |
| 2. POSITION:
29=29PIN | 7. SHELL PLATING:
1=NICKEL |
| 3. CONTACT TYPE/MATERIAL:
0=FEMALE/COPPER ALLOY | 8. MOUNTING OPTIONS:
0=RIVET WITH BOARDLOCK |
| 4. CONTACT PLATING:
1=SELECTIVE GOLD FLASH | 9. MATING OPTIONS:
0=4#40 THREADED RIVETED
1=FIXED HEX-SCREWS (4.8X11.8mm)
6=FIXED HEX-SCREWS (5.8X12.8mm)
7=4-40 THREADED AND LOOSE SCREWS |
| 5. INSULATOR COLOR:
1=BLACK
N=NATURE | 10. GREEN PRODUCT:
R=RoHS COMPLIANT |



UNLESS OTHERWISE SPECIFIED TOLERANCES		Singatron Enterprise Co., Ltd.		
DECIMALS:	ANGLES:	TITLE	DVI CONN. PCB RIGHT ANGLE TYPE 24+5 PIN FEMALE	
X :±0.5	X :±2°	DWN	WANDY 10-31-2011	PART NO. 2DV91-2901XC10X-R
X.X :±0.3	X.X :±1°	CHKD	SCALE 1:1	UNIT: mm
X.XX :±0.2		APVD	SIZE: A3	SHEET:1 OF 1 REV: X.0
CUSTOMER COPY				