

**MATERIAL:**

INSULATOR : PBT / NYLON 66.  
 CONTACT : COPPER ALLOY.  
 CONTACT FINISH : GOLD ON MATING END, TIN ON TERMINATION END, WITH ENTIRE CONTACT NICKEL UNDERPLATED.  
 SHELL : SPCC, NICKEL PLATED.  
 BOARDLOCK : STEEL / BRASS. TIN PLATED.

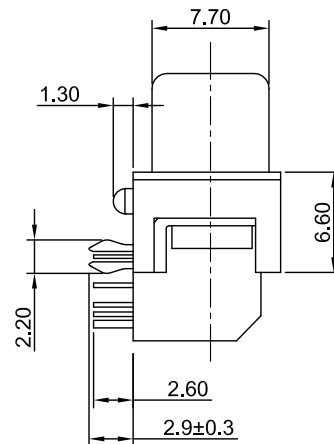
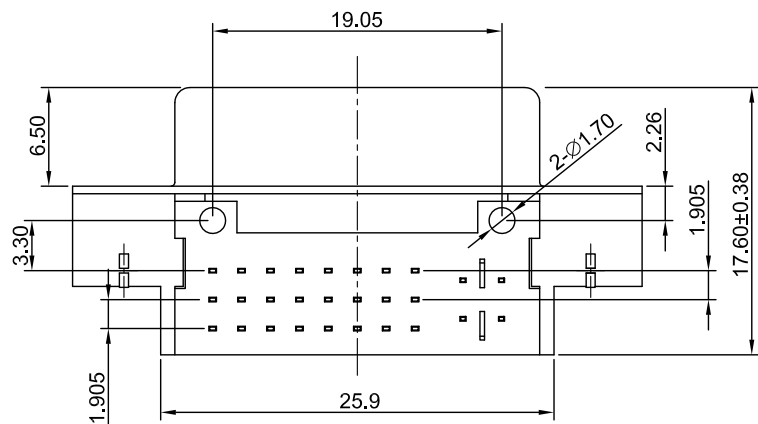
**SPECIFICATION:**

CURRENT RATING : 1.5 AMP.  
 DIELECTRIC WITHSTANDING VOLTAGE : 500V AC FOR 1 MINUTE.  
 INSULATION RESISTANCE : 1000MΩ MIN.  
 CONTACT RESISTANCE : 30mΩ MAX.  
 OPERATING TEMPERATURE : -20°C ~ +85°C.

**ORDER INFORMATION :**

2 D V 9 1 - 2 9 0 1 X C 1 0 X - R  
 1 2 3 4 5 6 7 8 9 10

- |                           |                                  |
|---------------------------|----------------------------------|
| 1. SERIES:                | 6. INSULATOR MATERIAL:           |
| 2. POSITION:              | C=NYLON                          |
| 29=29PIN                  | 7. SHELL PLATING:                |
| 3. CONTACT TYPE/MATERIAL: | 1=NICKEL                         |
| 0=FEMALE/COPPER ALLOY     | 8. MOUNTING OPTIONS:             |
| 4. CONTACT PLATING:       | 0=RIVET WITH BOARDLOCK           |
| 1=SELECTIVE GOLD FLASH    | 9. MATING OPTIONS:               |
| 5. INSULATOR COLOR:       | 0=4#40 THREADED RIVETED          |
| 1=BLACK                   | 1=FIXED HEX-SCREWS               |
| N=NATURE                  | (4.8X11.8mm)                     |
|                           | 6=FIXED HEX-SCREWS               |
|                           | (5.8X12.8mm)                     |
|                           | 7=4-40 THREADED AND LOOSE SCREWS |
|                           | 10. GREEN PRODUCT:               |
|                           | R=RoHS COMPLIANT                 |



UNLESS OTHERWISE SPECIFIED TOLERANCES		Singatron Enterprise Co., Ltd.			
DECIMALS:	ANGLES:	TITLE	DVI CONN. PCB RIGHT ANGLE TYPE 24+5 PIN FEMALE		
X :±0.5	X :±2°	DWN	WANDY 10-31-2014	PART NO. 2DV91-2901XC10X-R	
X.X :±0.3	X.X :±1°	CHKD	SCALE 1:1	UNIT: mm	①
X.XX :±0.2		APVD	SIZE: A3	SHEET:1 OF 1	REV: X.0
<b>CUSTOMER COPY</b>					