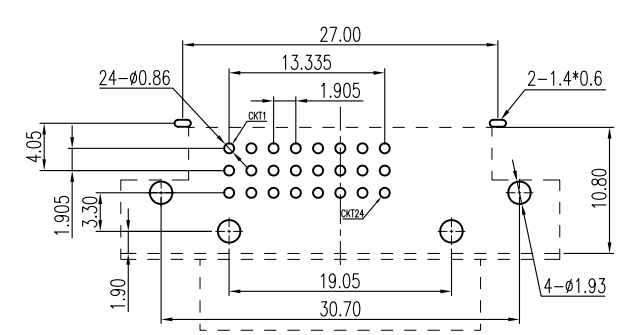
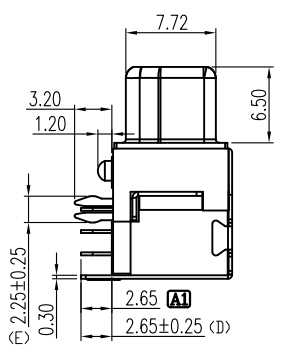
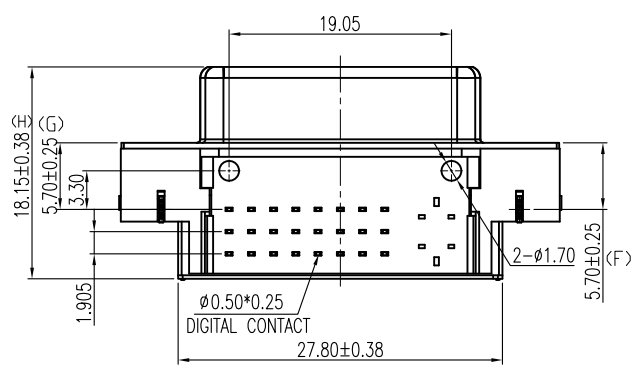
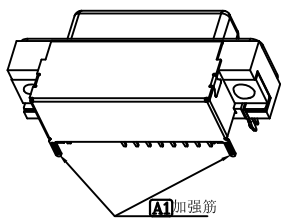
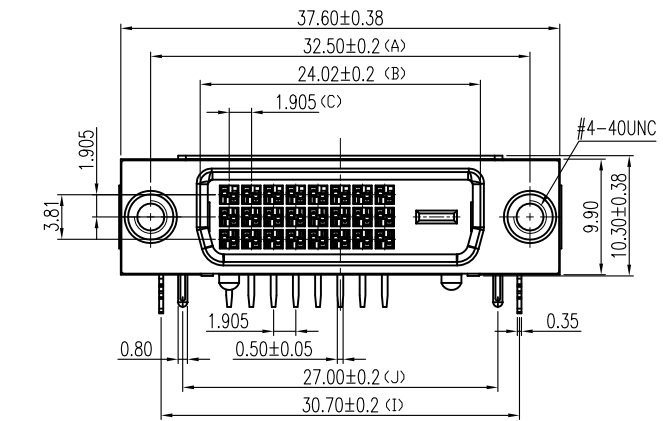


SPECIFICATIONS

1. DVI
- 1.1 Voltage: 40 VAC(RMS) Max.
- 1.2 Current Rating: 1.5 Ampere per Contact
- 1.3 Contact Resistance: 20 Milliohms Max.
- 1.4 Insulation Resistance: 1000 Megohms Min.
- 1.5 Dielectric Withstanding Voltage: 500V DC(RMS)
- 1.6 Total Mating Force: 4.5 Kgf Max.
- 1.7 Total Unmating Force: 1.0 Kgf Min.
- 1.8 Operating Temperature: -55°C to +85°C

NOTES

1. MATERIAL:
Housing:PBT, UL 94V-0, Color:Ivory.
Latch:PA66, UL 94V-0, Color:Ivory.
Terminal:Copper Alloy.
Shell:SPCC.
Shield:SPCC.
Boardlock:Steel.
Rivet:Copper Alloy.
2. FINISH:
Terminal:Gold Plated over Nickel at Contact Area.
Tin Plated over Nickel at Solder Ared.
Shell:Nickel Plated.
Boardlock:Tin Plated.
Rivet:Nickel Plated.
3. This Product is Rohs Compliance Product.



RECOMMENDED P.C.B LAYOUT
INSPECTION DIMENSION:(A)~(J)

2DVI5XXX 1XXXXXXXXN0

SERIES NO. N: IT'S COMPLIANT WITH Rohs

NUMBER OF POSITION
V2: 24-POSITION
V4: 29-POSITION

CONTACT STYLE
S: SOCKET

CONTACT MATERIALS
1: BRASS

CONTACT FINISH
1: G/F BRIGHT TIN
2: 15u" GOLD BRIGHT TIN
3: 30u" GOLD BRIGHT TIN
4: G/F MATTE TIN

FRONT SHELL FINISH
1: TIN
2: NICKEL

INSULATOR MATERIALS
1: PBT
2: LCP
3: PA6T

COLOR STYLE
1: ALL BLACK
4: ALL IVORY

FLANGE MOUNTING OPTION
1: #4-40 THREADED HOLE
A: #4-40 THREADED HOLE WITH #4-40UNC SCREWLOCK INSTALLED (4.8x11.8)
B: #4-40 THREADED HOLE WITH #4-40UNC SCREWLOCK BULK-PACKED (4.8x11.8)
E: #4-40 THREADED HOLE WITH #4-40UNC SCREWLOCK INSTALLED (5.8x13.0)
F: #4-40 THREADED HOLE WITH #4-40UNC SCREWLOCK BULK-PACKED (5.8x13.0)

BOARD MOUNTING OPTION
0: NONE
2: 2-FINGER BOARDLOCK

REV.	CONTENTS	DATE
A1	(A1) Change	2013.01.16
A0	An Issue.	2010.09.24

UNLESS OTHERWISE SPECIFIED TOLERANCE mm:	
.00	= ±0.25
.000	= ±0.13
Ang: 0.0	= ±2°

Singatron Enterprise Co., Ltd.				
TITLE	DVI-D RIGHT ANGLE			
DWN	Shao Jianfeng	PART NO. 2DVI5V2S1X22141N0		
CHKD	He Wei	SCALE 1:1	UNIT: mm	REV: A1
APVD	Lee Jun De	SIZE: A3	SHEET: 1 OF 1	REV: A1
CUSTOMER COPY				