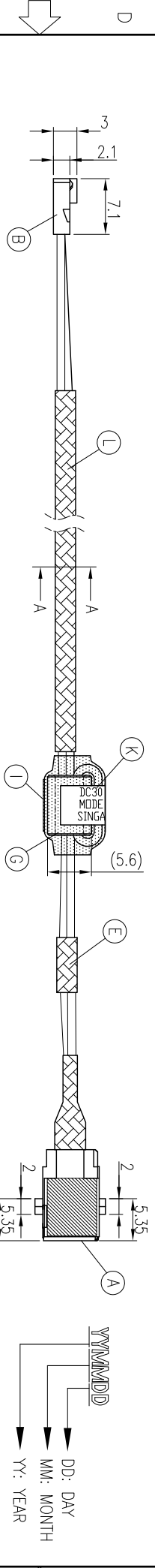
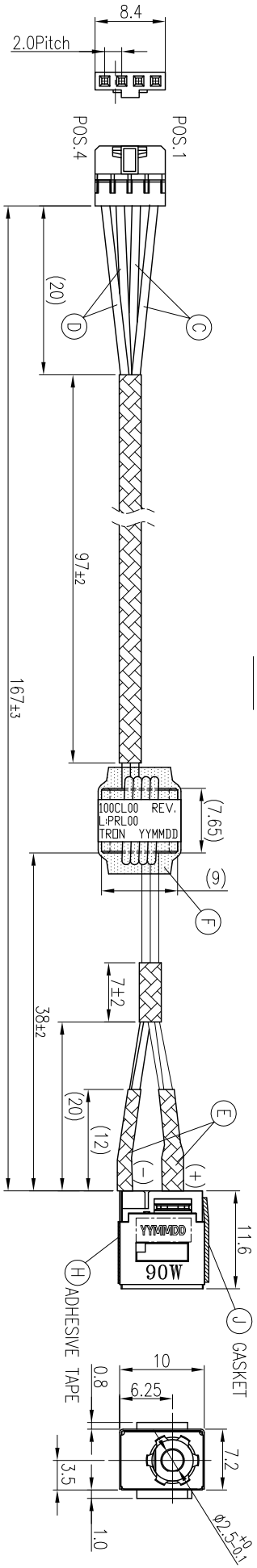


REV.	ECN NO.	OR DESCRIPTION	REVISED	DATE
A	PDR NO. T100727-1A		Summer	2011.03.21
B	ECN NO. S110506/B		Swina	2011.06.03

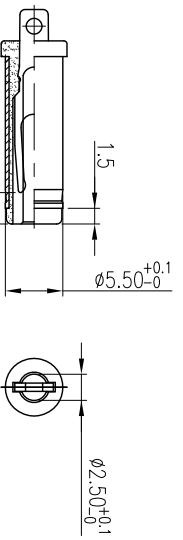


SECTION A-A
NO SACLE

WIRE DIAGRAM		
DC JACK	WIRE COLOR	CONNECTOR
CENTER PIN(+)	RED	POS. (1,2)
SPRING(-)	BLACK	POS. (3,4)

NO	DESCRIPTION	QTY	MATERIAL	PLATING & COLOR
L	HEAT SHRINK TUBE	1	FOLYOLFEN Ø2.5mm(125˚300V)	BLACK
K	LABEL	1	20*5mm	WHITE
J	GASKET	1	10*5.0*10.5mm	GRAY
I	ADHESIVE TAPE	1	3M9448, 7.2*8.5mm	WHITE
H	ADHESIVE TAPE	1	SONY 14000 7.3*6.5mm	WHITE
G	EMI CORE	1	9.0*7.65*5.6mm SINCORES	BLACK
F	HEAT SHRINK TUBE	1	FOLYOLFEN Ø10mm(125˚,300V)	BLACK
E	HEAT SHRINK TUBE	3	FOLYOLFEN Ø3.0mm(125˚,300V)	BLACK
D	WIRE	2	UL10368 26AWG	BLACK
C	WIRE	2	UL10368 26AWG	RED
B	CONNECTOR	4	TERMINAL: TU2003TPO_*	GOLD-FLASH
A	DC JACK	1	HOUSING: TU2003HNO-1X04	WHITE
NO	DESCRIPTION	1	TO SEE SINGATRON DC JACK P/N: 2DC-6756-BA6F	

- SPECIFICATIONS:
- ELECTRICAL CHARACTERISTICS:
 - RATING: 20V 7A
 - CONTACT RESISTANCE: 30mΩ MAX. (INITIAL) (ONLY FOR DC JACK)
 - DIELECTRIC WITHSTANDING VOLTAGE: 500V AC FOR ONE MINUTE.
 - INSULATION RESISTANCE: 100M Ω MIN. MEASURED BY 500V DC.
 - MECHANICAL CHARACTERISTICS:
 - INSERTION FORCE: 3.0 KG MAX.
 - WITHDRAWAL FORCE: 1.0~3.0 KG
 - LIFE TEST: 5000 CYCLES MIN.



MATING PLUG Ø5.50

- OTHER GENERAL SPEC. TO REFER "2DC-6756-BA6F SPEC."
- CONFORM TO SINGATRON HAZARDOUS SUBSTANCE FREE SPEC.
- HAALOGEN FREE PRODUCT IDENTIFICATION MARK ON JACK:
- HAALOGEN FREE PRODUCT IDENTIFICATION LABEL ON PACKAGING:

UNLESS OTHERWISE SPECIFIED TOLERANCES:		ANGLES:	
DECIMALS:	±0.5	X	±2°
	±0.3	X.X	±1°
	±0.2	X.XX	

TITLE	DC POWER JACK+WIRE
DWN	Swina
CHKD	Tom
APVD	Tony

PART NO. 2DW-G756-BN4

SCALE: --

UNIT: mm

SIZE: A3

SHEET: 1 OF 1

REV: B

CUSTOMER COPY

Singatron Enterprise Co., Ltd.
信音企業股份有限公司