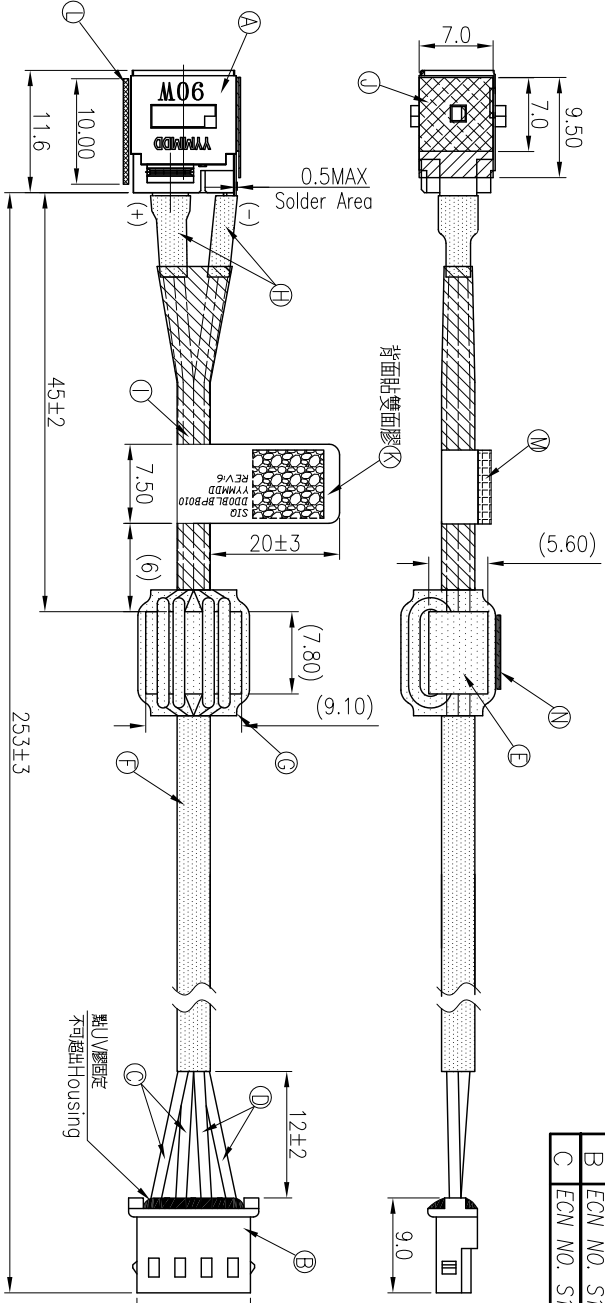
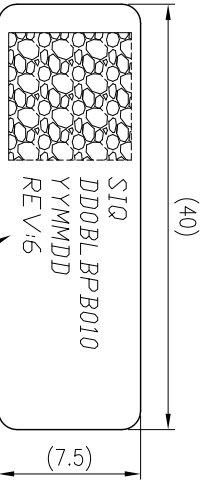


REV.	ECN NO.	OR DESCRIPTION	REVISED	DATE
A	PDR NO. T100930-1A		Eileen	2011.01.17
B	ECN NO. S110309		Solder	2011.03.03
C	ECN NO. S110827		SPRING	2011.08.17



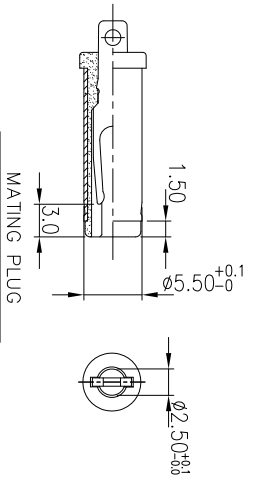
WIRE DIAGRAM	WIRE COLOR	CONNECTOR
DC POWER JACK	RED	POS.(3,4)
CENTER PIN(+)	RED	POS.(3,4)
SPRING(-)	BLACK	POS.(1,2)



第四行版本只需打印在 LABEL 上, 不需顯示在條碼裡

SPECIFICATIONS:

- 1.ELECTRICAL CHARACTERISTICS:**
- 1-1.RATING:20V 5A
 - 1-2.CONTACT RESISTANCE:30mΩ MAX.(INITIAL)
 - 1-3.DIELECTRIC WITHSTANDING VOLTAGE:250V AC FOR ONE MINUTE.
 - 1-4.INSULATION RESISTANCE:100MΩ MIN. MEASURED BY 500V DC.
- 2.MECHANICAL CHARACTERISTICS:**
- 2-1.INSERTION FORCE: 3.5kgf MAX.
 - 2-2.WITHDRAWAL FORCE: 0.5~3.5kgf.
- 3.LIFE TEST:5000 CYCLES MIN.**
- 4.OTHER GENERAL SPEC. TO REFER "2DC-G756-B99 SPEC."**
- 5.TO CONFORM TO SINGATRON HAZARDOUS SUBSTANCE FREE SPEC.**
- 6.HALOGEN FREE PRODUCT IDENTIFICATION MARK ON JACK: ©**
- 7.HALOGEN FREE PRODUCT IDENTIFICATION LABEL ON PACKAGING: ©**



N	ADHESIVE TAPE	3M 9448	7*7.2	WHITE
M	ADHESIVE TAPE	3M 467	L20*W7.5	WHITE
L	CONDUCTIVE GASKET	L10*W7*10.5		BLACK
K	LABEL	L40*W7.5		WHITE
J	CONDUCTOR ADHESIVE	L7*W7		WHITE
I	ACETATE CLOTH TAPE	W10*10.12		BLACK
H	HEAT SHRINK TUBE	FOLYOLFEN	φ3.0*10 (125,300V)	BLACK
G	HEAT SHRINK TUBE	FOLYOLFEN	φ10*14(125,300V)	BLACK
F	HEAT SHRINK TUBE	FOLYOLFEN	φ2.5 (125,300V)	BLACK
E	EMI CORE		9.1*5.6*7.8	BLACK
D	WIRE	UL10368	26AWG	BLACK
C	WIRE	UL10368	26AWG	RED
B	CONNECTOR	TER:PHOSPHOR BRONZE		TIN
A	DC POWER JACK	HSG:NYLON U194V-0		WHITE
NO	DESCRIPTION	SINGATRON DC JACK P/N:2DC-G756-B99		

UNLESS OTHERWISE SPECIFIED TOLERANCES

DECIMALS: ANGLES:

X.XX :±0.2 X.XX :±0.1 X.XX :±0.3 X.XX :±0.5 X.XX :±0.1 X.XX :±0.2

TITLE	DC POWER JACK + WIRE
DWN	SPRING
CHKD	TOM
APVD	TONY

PART NO.2DW-G756-BP6P

SCALE: -- UNIT: mm

SIZE: A3 SHEET:1 OF 1 REV:C

CUSTOMER COPY

Singatron Enterprise Co., Ltd.
信晉企業股份有限公司

A B C D E F

1 2 3 4 5 6 7 8

A B C D E F

1 2 3 4 5 6 7 8