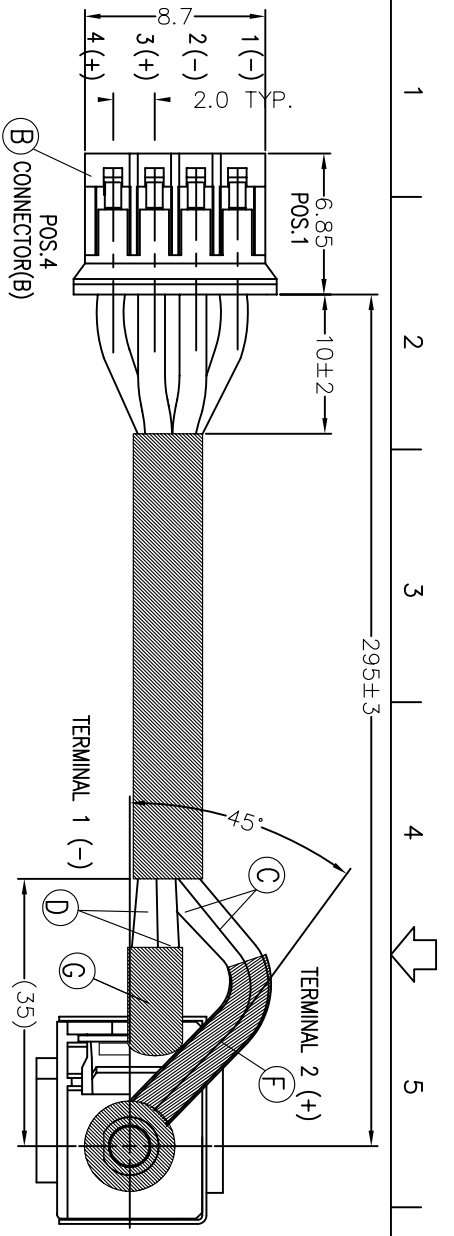
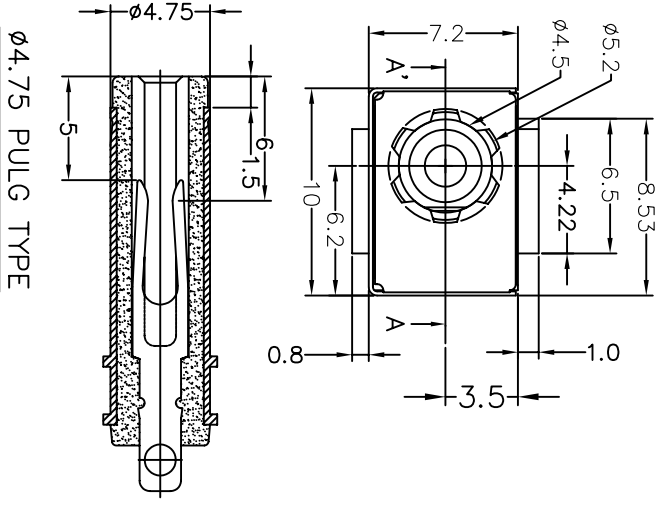
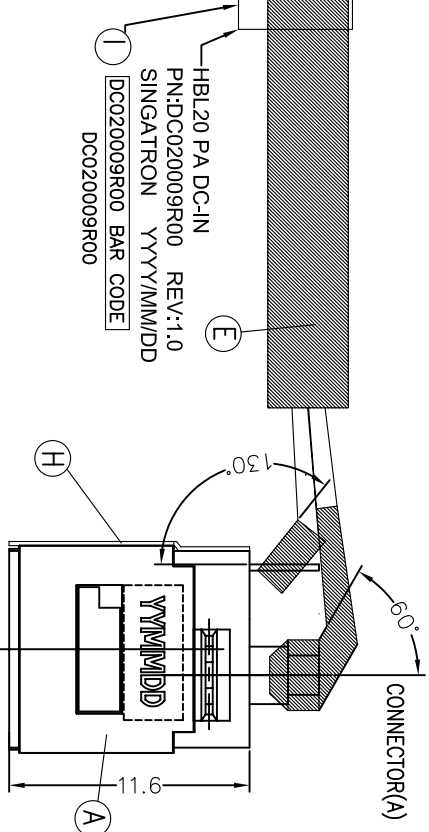


REV.	ECN NO.	OR DESCRIPTION	REVISED	DATE
C	ECN NO.9550054		Wendy	06.02.24
D	ECN NO.950076		Wendy	06.03.09
E	ECN NO.S060907		Cruise	06.10.09
F	ECN NO.S070616		Quan-Zhou	07.08.23



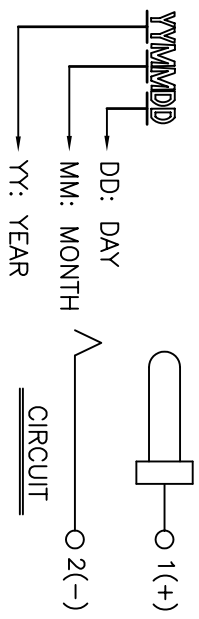
WIRE DIAGRAM		
CONNECTOR(A)	WIRE COLOR	CONNECTOR(B)
TERMINAL 1 (-)	BLACK COLOR	POS.(1,2)
TERMINAL 2 (+)	RED COLOR	POS.(3,4)



4.75 PULG TYPE

I	LABEL	1	L=20mm W=20mm	WHITE COLOR
H	MYLAR	1	T=0.16mm L=11.6mm W=6.8mm	WHITE COLOR
G	HEAT SHRINK TUBE	1	φ3.5 L=8mm	BLACK COLOR
F	HEAT SHRINK TUBE	1	φ3.5 L=15mm	BLACK COLOR
E	HEAT SHRINK TUBE	1	φ3.5 L=255mm	BLACK COLOR
D	WIRE	2	UL1007 26AWG	BLACK COLOR
C	WIRE	2	UL1007 26AWG	RED COLOR
B	HOUSING	1	Nylon UL94V-0	WHITE COLOR
A	DC JACK	1	SEE "SINGATRON P/N 20C-G756-103"	WHITE COLOR

NO	DESCRIPTION	QTY	MATERIAL	PLATING & COLOR
UNLESS OTHERWISE SPECIFIED TOLERANCES				
TITLE DC POWER JACK WITH CABLE				
SINGATRON ENTERPRISE CO., LTD.				
信登企業股份有限公司				
DWG 2007/09/05 PART NO. 2DW-G756-108				
CHKD 2007/09/05 SCALE:4/1 UNIT: mm				
APVD 2007/09/05 SIZE: A3 SHEET: 1 OF 1 REV: F				



- SPECIFICATIONS:**
- RATING: DC 20V 7A
  - INSERTION FORCE: 3.0kgf Max.
  - WITHDRAWAL FORCE: 1.0kg~3.0kg
  - INSULATION RESISTANCE BETWEEN ANY ADJACENT TERMINALS SHALL NOT BE LESS THAN 100 MEGOHMS BY 500 VOLTS MEGGER.
  - JACK SHALL WITHSTAND 500 VOLTS BETWEEN ANY ADJACENT TERMINAL FOR ONE MINUTE.
  - CONTACT RESISTANCE SHALL NOT EXCEED 0.015 OHMS. (DC JACK ONLY, NOT INCLUDE CABLE)
  - JACK SHALL WITHSTAND 5,000 CYCLES OF INSERTION AND WITHDRAWAL WITH TESTING PLUG, AND CONTACT RESISTANCE SHALL NOT EXCEED 0.015 OHMS. (DC JACK ONLY, NOT INCLUDE CABLE)
  - MEASURING CONDITION:  
TEMPERATURE: FROM 5°C TO 35°C.
  - RELATIVE HUMIDITY: FROM 40% TO 95%.
  - TO CONFORM TO THE "SE-01-001" & "ROHS DIRECTIVE"
  - GREEN PRODUCT IDENTIFICATION MARK IN JACK:
  - GREEN PRODUCT IDENTIFICATION LABEL IN PACKING:
  - FOR LEAD-FREE PRODUCT
  - PRINTED DATE CODE "YYMMDD" ON TOP OF CONNECTOR.