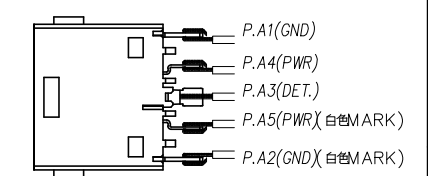
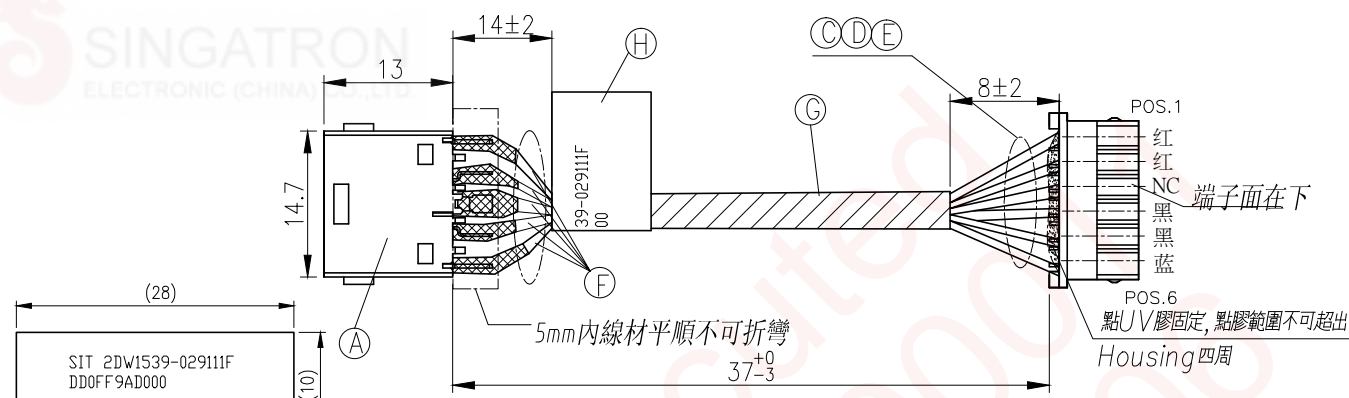
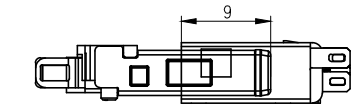


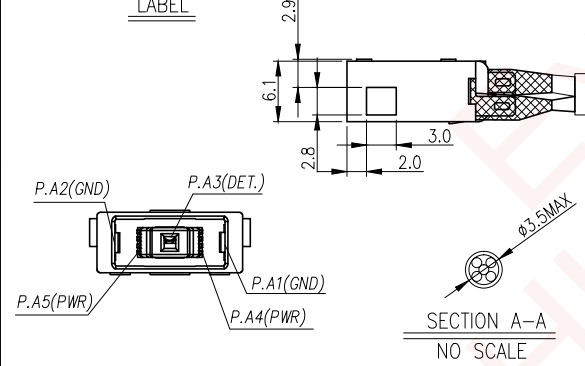
REV.	ECN NO OR DESCRIPTION	REVISED	DATE
A	PDR No.: T141210-5A	Summer	2015.08.13
B	ECN No.: S150939-C/B	Ken	2015.10.16



焊接方式&勾焊方向示意图

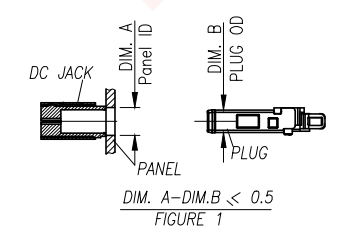


MATING STATUS



DC POWER JACK	WIRE COLOR	CONNECTOR
PIN A3	BLUE(UL10368 26AWG)	POS.6
PIN A1	BLACK(UL10368 26AWG)	POS.5
PIN A2	BLACK(UL10368 26AWG)	POS.4
	空 (不接线)	POS.3
PIN A4	RED(UL10368 26AWG)	POS.2
PIN A5	RED(UL10368 26AWG)	POS.1

- SPECIFICATIONS:
- ELECTRICAL CHARACTERISTICS:
 - 1-1.RATING:25V 6A
 - 1-2.CONTACT RESISTANCE:30mΩ MAX.(INITIAL) (ONLY FOR DC JACK)
 - 1-3.DIELECTRIC WITHSTANDING VOLTAGE:500V AC FOR ONE MINUTE.
 - 1-4.INSULATION RESISTANCE:100MΩ MIN. MEASURED BY 500V DC.
 - MECHANICAL CHARACTERISTICS:
 - 2-1.INSERTION FORCE:3.0KGF MAX
 - 2-2.WITHDRAWAL FORCE:0.7KGF MIN
 - LIFE TEST:5000 CYCLES MIN.
 - OTHER GENERAL SPEC. TO REFER "2DW1539-028111F SPEC".
 - HALOGEN FREE PRODUCT IDENTIFICATION MARK ON JACK:
 - HALOGEN FREE PRODUCT IDENTIFICATION LABEL ON PACKAGING:
 - THE PANEL'S ID MUST BE GREATER THAN THE PLUG'S OD WHICH MUST HAVE A DIFFERENCE OF LESS THAN OR EQUAL TO 0.5 mm.(AS SHOWN IN FIGURE 1.)



NO	DESCRIPTION	QTY	MATERIAL	PLATING & COLOR
H	LABEL	1	28*10	WHITE
G	ACETATE CLOTH TAPE	1	W15*T0.12	BLACK
F	HEAT SHRINK TUBE	5	POLYOLEFIN φ2.5(125°,300V)	BLACK
E	WIRE	1	UL10368 26AWG	BLUE
D	WIRE	2	UL10368 26AWG	BLACK
C	WIRE	2	UL10368 26AWG	RED
B	CONNECTOR(JWT)	5	TER:PHOSPHOR BRONZE(JWT A2505TOP-2)	TIN-PLATED
		1	HSG:NYLON UL94V-0(JWT A2505H02-6P)	MILKY YELLOW
A	DC POWER JACK(DRAPHO)	1	P/N:PJCS0056-1002H-C(2DC1539-000111F)	

UNLESS OTHERWISE SPECIFIED TOLERANCES		SINGATRON 信音企業股份有限公司	
DECIMALS:	ANGLES:	TITLE: DC POWER JACK + WIRE	
X :±0.5	X :±2°	DWN	ken PART NO. 2DW1539-029111F
X.X :±0.3	X.X :±1°	CHKD	Cerry SCALE:-- UNIT: mm
X.XX :±0.2		APVD	liao SIZE: A3 SHEET:1 OF 1 REV:B
CUSTOMER COPY			