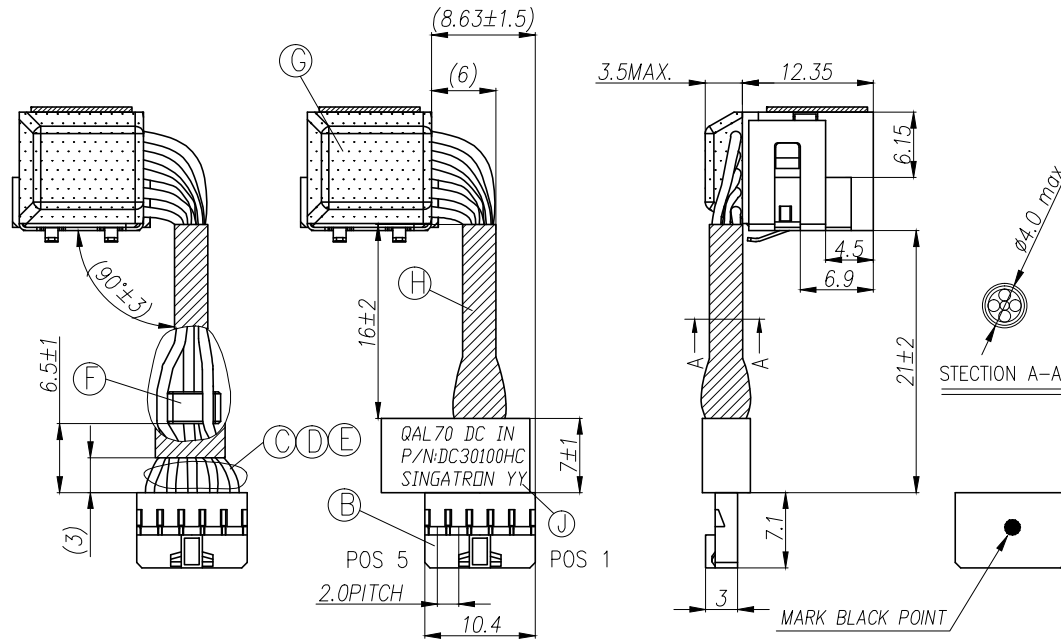
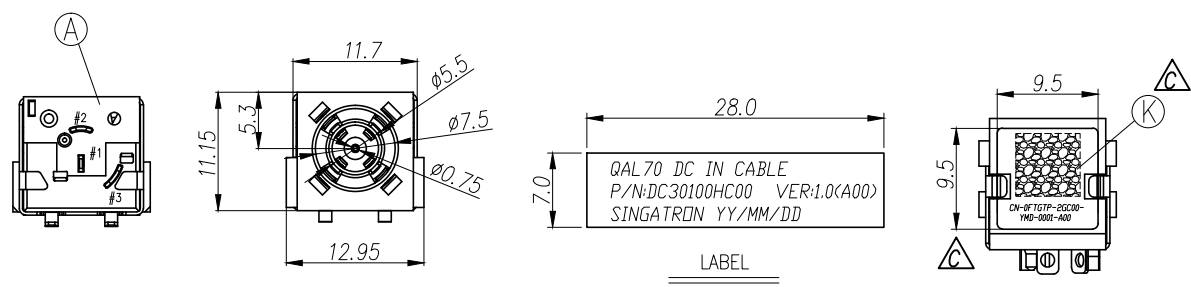


REV.	ECN NO OR DESCRIPTION	REVISED	DATE
A	PDR NO:T110617-2A	QIANG	2012.04.27
B	ECN NO:S120625	SpringWang	2012.07.04
C	ECN NO:S181114-C	Jie	2018.11.06

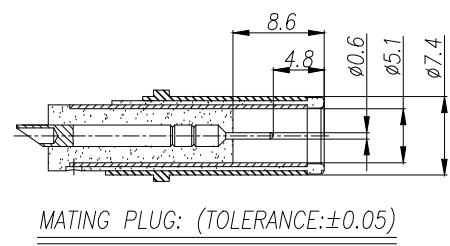


- SPECIFICATIONS:
- ELECTRICAL CHARACTERISTICS:
 - RATING: 20V 5.3A
 - CONTACT RESISTANCE: 30mΩ MAX. (ONLY FOR DC JACK)
 - DIELECTRIC WITHSTANDING VOLTAGE: 500V AC FOR ONE MINUTE.
 - INSULATION RESISTANCE: 100MΩ MIN. MEASURED BY 500V DC.
 - MECHANICAL CHARACTERISTICS:
 - INSERTION FORCE: 3.0Kgf MAX.
 - WITHDRAWAL FORCE: 0.4Kgf MIN.
 - LIFE TEST: 5000 CYCLES Min.
 - OTHER GENERAL SPEC. TO REFER "2DW2018-001111F SPEC".
 - TO CONFORM TO SINGATRON HAZARDOUS SUBSTANCE FREE SPEC.
 - HALOGEN FREE PRODUCT IDENTIFICATION MARK ON JACK:
 - HALOGEN FREE PRODUCT IDENTIFICATION LABEL ON PACKAGING:

	DC JACK	HOUSING	CABLE
RATING VOLTAGE (V)	20	100	300
RATING CURRENT (A)	7A	1	4.46
WITHSTANDING VOLTAGE (V/MIN)	500	800	2000
OPERATION TEMPERATURE(°C)	-10 ~ 85		
插入力 (KG)	3.0 MAX.		
拔出力 (KG)	0.4 MIN.		



CONNECTOR	WIRE COLOR	DC POWER JACK
POS 1	GRAY(UL10368 28AWG)	#1 SIGNAL (S)
POS 2	ORANGE(UL10368 26AWG)	
POS 3	ORANGE(UL10368 26AWG)	#2 SPRING (+)
POS 4	GREEN(UL10368 26AWG)	#3 SPRING (-)
POS 5	GREEN(UL10368 26WG)	# SHELL (GND)



K	PPID LABEL	1	9.5*9.5 (TYPE W)	WHITE
J	LABEL	1	28*7	WHITE
H	ACETATE CLOTH	1	T:0.12	BLACK
G	MACROMELT	0.5g	MACROMELT 6208	AMBER
F	CORE(SINCORES)	1	NiMonZn-600 R5A SH 5*3*3	BLACK
E	WIRE	1	UL10368 28AWG	GRAY
D	WIRE	2	UL10368 26AWG	GREEN
C	WIRE	2	UL10368 26AWG	ORANGE
B	CONNECTOR	5	TER: COPPER ALLOY	TIN-PLATED
		1	HSG:THERMOPLASTIC UL94V-0	WHITE
A	DC JACK	1	SINGATRON DC JACK P/N:2DC2018-003111F	
NO	DESCRIPTION	QTY	MATERIAL	PLATING & COLOR

UNLESS OTHERWISE SPECIFIED TOLERANCES		Singatron Enterprise Co., Ltd. 信音企業股份有限公司		
DECIMALS:	ANGLES:	TITLE DC JACK WITH WIRE		
X :±0.5	X :±2°	DWN	Jie	PART NO.2DW2018-001111F
X.X :±0.3	X.X :±1°	CHKD		SCALE:-- UNIT: mm
X.XX :±0.2		APVD		SIZE: A3 SHEET: 1 OF 1 REV:C
CUSTOMER COPY				