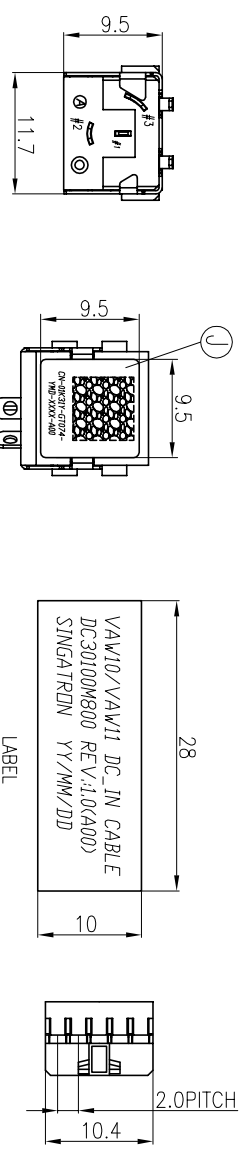
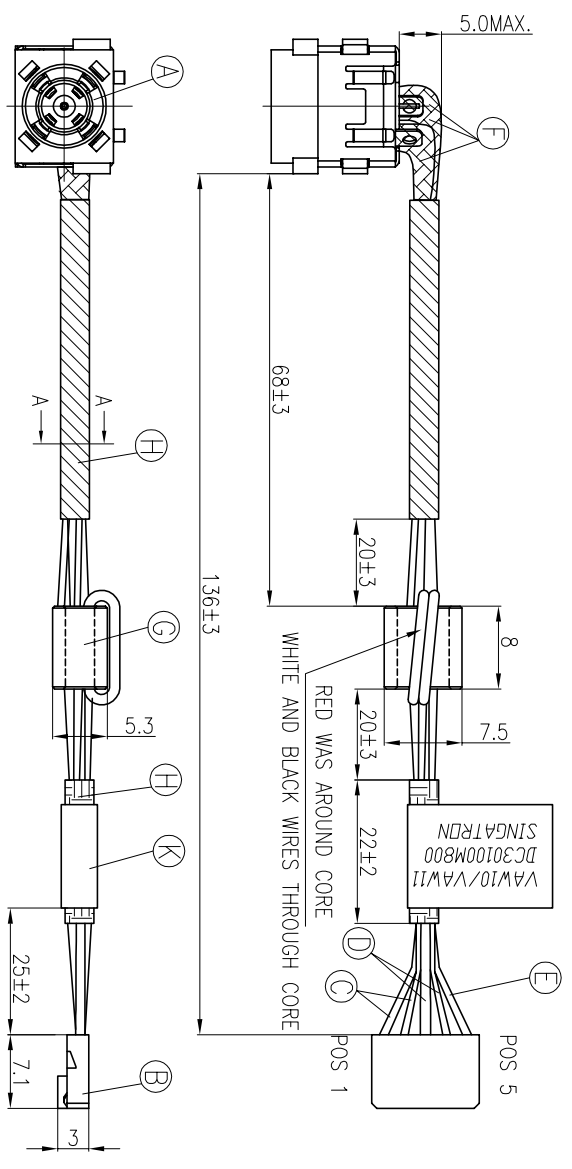
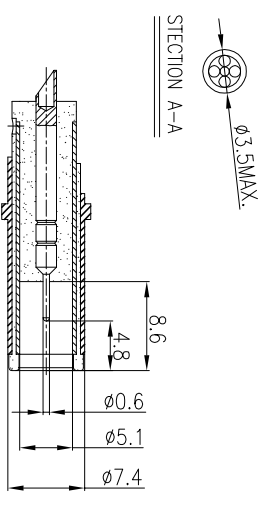


REV.	ECN NO.	OR DESCRIPTION	REVISED	DATE
A	PDR NO: T120709-3A		QIANG	2012.09.27
B	ECN NO: S130705		ANDY	2013.12.18



CONNECTOR	WIRE COLOR	DC POWER JACK
POS 5	WHITE(UL10368 26AWG)	#1 SIGNAL (S)
POS 4	BLACK(UL10368 26AWG)	#3 SPRING (-)
POS 3	BLACK(UL10368 26AWG)	#3 SPRING (-)
POS 2	RED(UL10368 26AWG)	#2 SPRING (+)
POS 1	RED(UL10368 26AWG)	#2 SPRING (+)



- SPECIFICATIONS:
1. ELECTRICAL CHARACTERISTICS:
- 1-1. RATING: 20V 5A
 - 1-2. CONTACT RESISTANCE: 30mΩ MAX. (ONLY FOR DC JACK)
 - 1-3. DIELECTRIC WITHSTANDING VOLTAGE: 500V AC FOR ONE MINUTE.
 - 1-4. INSULATION RESISTANCE: 100MΩ MIN. MEASURED BY 500V DC.
2. MECHANICAL CHARACTERISTICS:
- 2-1. INSERTION FORCE: 3.0kgf Max.
 - 2-2. WITHDRAWAL FORCE: 0.35kgf Min.
 - 3. LIFE TEST: 5000 CYCLES Min.
4. OTHER GENERAL SPEC. TO REFER "2DW2018-012111F SPEC".
5. TO CONFORM TO SINGATRON HAZARDOUS SUBSTANCE FREE SPEC.
6. HALOGEN FREE PRODUCT IDENTIFICATION MARK ON JACK:
7. HALOGEN FREE PRODUCT IDENTIFICATION LABEL ON PACKAGING:
8. CUSTOMER NUMBER: DC30100M800 (VAW10/VAW11)

NO	DESCRIPTION	QTY	MATERIAL	PLATING & COLOR
A	DC JACK	1	SINGATRON DC JACK P/N: 2DC3105-000111F	
B	CONNECTOR	1	HSG-THERMOPLASTIC U194V-0	WHITE
C	WIRE	1	UL10368 26AWG	WHITE
D	WIRE	2	UL10368 26AWG	BLACK
E	WIRE	2	UL10368 26AWG	RED
F	HEAT SHRINK TUBE	3	POLYOLEFIN Ø3 125' 300V	BLACK
G	CORE	1	SINCORES ELECTRONICS(D.G.)CORP	BLACK
H	ACETATE FABRIC	2	T:0.12	BLACK
J	DELL PPID LABEL	1	9.5*9.5 (TYPE W)	WHITE
K	LABEL	1	28*10	WHITE

MODE: NiMoZn-600
SIZE: 7.5*5.3*8
MANUFACTURER: SINGATRON

UNLESS OTHERWISE SPECIFIED TOLERANCES

DECIMALS: ANGLES:

X : ±0.5 X : ±2'
X.X : ±0.3 X.X : ±1'
X.XX : ±0.2

TITLE: DC JACK WITH WIRE

DC JACK WITH WIRE

ANDY
CERRY
MAX

PART NO: 2DW2018-012111F
SCALE: --
SIZE: A3 SHEET: 1 OF 1

REV: B

CUSTOMER COPY