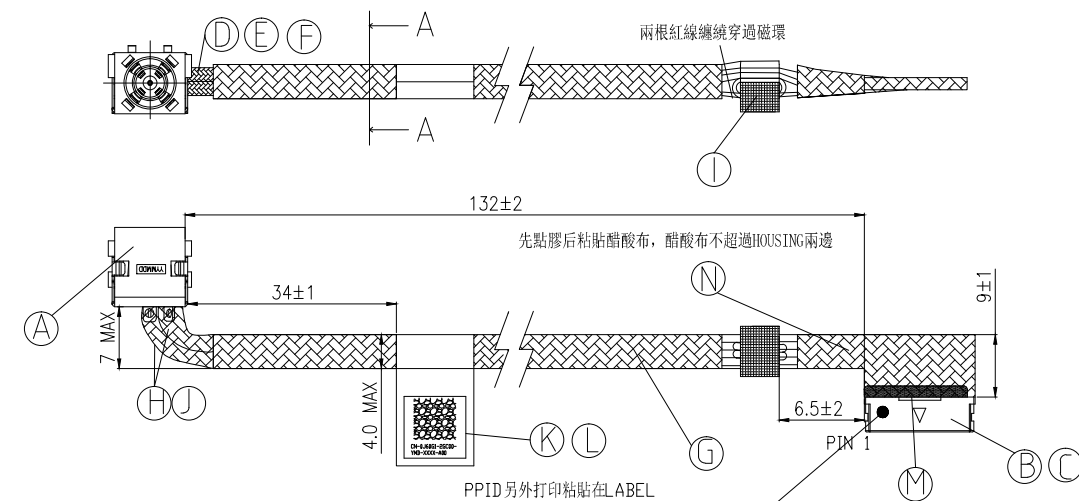


| REV. | ECN NO OR DESCRIPTION | REVISED | DATE |
|------|-----------------------|---------|-----------|
| A | PDR NO.: T180905-1A | Jie | 2020.7.23 |

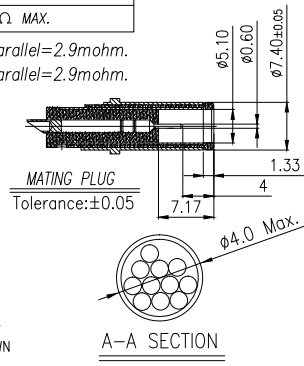


| ITEMS | DC JACK | CONNECTOR | CABLE |
|---------------------------------|-----------|------------|--------|
| RATING VOLTAGE (V) | 20V | 12V | 30V |
| RATING CURRENT (A) | 13A | 5A/Pin | 10.61A |
| OPERATION TEMPERATURE RANGE(°C) | -40~+85°C | -40~+105°C | 105°C |

| | CONTACT RESISTANCE SPECIFICATION | |
|-------------|---|--|
| | INITIAL VALUE | AFTER LIFE TEST |
| DC-IN JACK | (+)PIN_TOTAL: <30mΩ (-)PIN_TOTAL: <30mΩ | (+)PIN_TOTAL: <50 mΩ (-)PIN_TOTAL: <50 mΩ |
| CONNECTOR | (+)PIN_TOTAL: <100mΩ (-)PIN_TOTAL: <100 mΩ | (+)PIN_TOTAL: <120 mΩ (-)PIN_TOTAL: <120 mΩ |
| CABLE TOTAL | 130mΩ MAX. | 170mΩ MAX. |

(+)R=[(94.2ohm/KM*(150)mm/1000000)]/(5)Parallel=2.9mohm.
 (-)R=[(94.2ohm/KM*(150)mm/1000000)]/(5)Parallel=2.9mohm.

- SPECIFICATIONS:
- ELECTRICAL CHARACTERISTICS:
 - 1-1.RATING:20V 11.5A
 - 1-2.DIELECTRIC WITHSTANDING VOLTAGE:500V AC FOR ONE MINUTE.
 - 1-3.INSULATION RESISTANCE:100M MIN. MEASURED BY 500V DC.
 - MECHANICAL CHARACTERISTICS:
 - 2-1. INSERTION FORCE: 3.0 Kgf Max.
 - 2-2. WITHDRAWAL FORCE: 0.35kgf Min.
 - LIFE TEST:5000 CYCLES MIN.
 - OTHER GENERAL SPEC. TO REFER "2DW2018-045111F SPEC".
 - TO CONFORM TO SINGATRON HAZARDOUS SUBSTANCE FREE SPEC.
 - HALOGEN FREE PRODUCT IDENTIFICATION MARK ON JACK:
 - HALOGEN FREE PRODUCT IDENTIFICATION LABEL ON PACKAGING:
 - THE PANEL'S ID MUST BE GREATER THAN THE PLUG'S OD WHICH MUST HAVE A DIFFERENCE OF LESS THAN OR EQUAL TO 0.5 mm.(AS SHOWN IN FIGURE 1.)



| WIRING DIAGRAM | | | | | |
|----------------|---------------|-----------------|------------|------------------|--|
| CONNECTOR | WIRE TO BOARD | CABLE TYPE/AWG# | WIRE COLOR | DC JACK | |
| PIN.1 | ADPIN(+) | UL10064 24# | RED | SPRING(+) -1# | |
| PIN.2 | ADPIN(+) | UL10064 24# | RED | | |
| PIN.3 | ADPIN(+) | UL10064 24# | RED | | |
| PIN.4 | ADPIN(+) | UL10064 24# | RED | | |
| PIN.5 | ADPIN(+) | UL10064 24# | RED | | |
| PIN.6 | GND(-) | UL10064 24# | BLACK | SPRING(-) -2# | |
| PIN.7 | GND(-) | UL10064 24# | BLACK | | |
| PIN.8 | GND(-) | UL10064 24# | BLACK | | |
| PIN.9 | GND(-) | UL10064 24# | BLACK | | |
| PIN.10 | GND(-) | UL10064 24# | BLACK | | |
| PIN.11 | PSID(S) | UL10064 24# | BROWN | | |
| PIN.12 | N/A | N/A | N/A | | |

| N | DESCRIPTION | QTY | MATERIAL | PLATING & COLOR |
|----|--------------------|-----|--|-----------------|
| N | ACETATE CLOTH TAPE | 1 | 冲型醋酸布 T0.12 | BLACK |
| M | UV GLUE | | 8860 | |
| L | PPID | 1 | 9.5L*9.5W | WHITE |
| K | LABEL | 1 | 43L*10W | WHITE |
| J | HEAT SHRINK TUBE | 1 | ∅2.5 (125° 300V) | BLACK |
| I | EMI CORE | 1 | MODEL:MMoZn-600 SIZE:6.5*3.0*3.0 MANU:SINCORES ELECTRONICS(D.G.) CORP. | BLACK |
| H | HEAT SHRINK TUBE | 2 | ∅4.0 (125° 300V) | BLACK |
| G | ACETATE CLOTH TAPE | 1 | 0.12T*W15 | BLACK |
| F | WIRE | 1 | UL10064 24AWG VW-1 | BROWN |
| E | WIRE | 5 | UL10064 24AWG VW-1 | BLACK |
| D | WIRE | 5 | UL10064 24AWG VW-1 | RED |
| C | TERMINAL | 11 | TER:125021GJ001G200G2 | Au-PLATED |
| B | CONNECTOR | 1 | HSG:125021GJ012NT03Z8 | BLACK |
| A | DC POWER JACK | 1 | TO SEE SINGATRON DC P/N: 2DC2018-007111F | |
| NO | DESCRIPTION | QTY | MATERIAL | PLATING & COLOR |

UNLESS OTHERWISE SPECIFIED TOLERANCES

Singatron Enterprise Co., Ltd.
信音企業股份有限公司

DECIMALS: ANGLES:
X :±0.5 X :±2°
X.X :±0.3 X.X :±1°
X.XX :±0.2

| TITLE | DC JACK + WIRE | | |
|-------|----------------|----------|----------------------|
| DWN | Jie | PART NO. | 2DW2018-045111F |
| CHKD | Sky | SCALE:-- | UNIT: mm |
| APVD | Lussen | SIZE: A3 | SHEET: 1 OF 1 REV: A |

CUSTOMER COPY