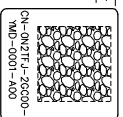
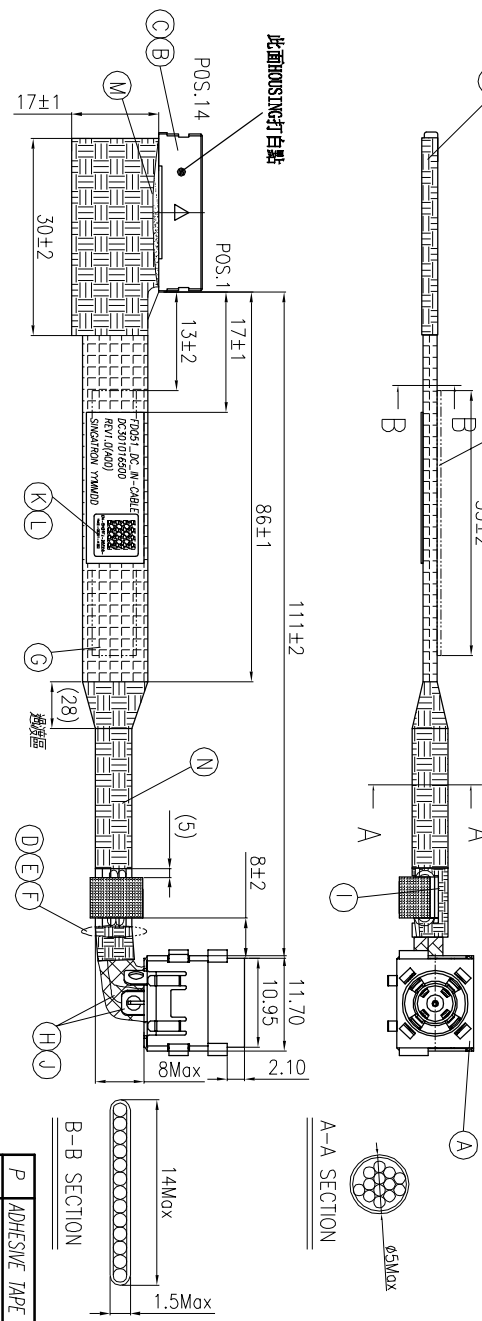


REV	ECN NO OR DESCRIPTION	REVISED	DATE
A	PDR NO.:T190704-3A	Xuehua	2020.09.03

FDQ051_DC_IN-CABLE
DC301016500
REV1.0(A00)
SINGATRON YMMMD



0421P-2000-
REV-001-A00

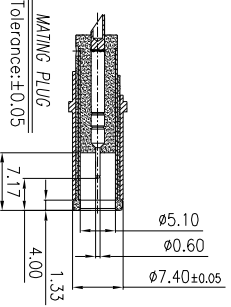


ITEMS	DC JACK	CONNECTOR	CABLE
RATING VOLTAGE (V)	20V	20V	30V
RATING CURRENT (A)	1.3A	5A/Pin	10.61A
OPERATION TEMPERATURE RANGE(°C)	-40~+85t	-40~+105t	105t

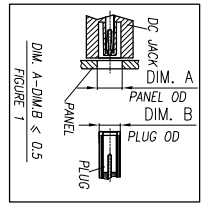
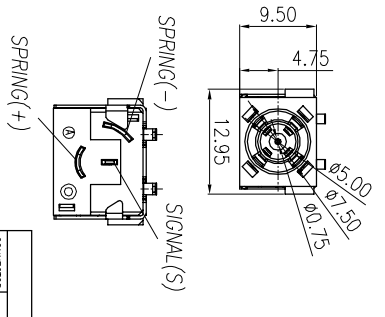
ITEMS	INITIAL VALUE	AFTER LIFE TEST
DC-IN JACK	(+)PIN_TOTAL:<30mΩ (-)PIN_TOTAL:<30mΩ	(+)PIN_TOTAL:<50 mΩ (-)PIN_TOTAL:<50 mΩ
CONNECTOR	(+)PIN_TOTAL:<100mΩ (-)PIN_TOTAL:<100 mΩ	(+)PIN_TOTAL:<120 mΩ (-)PIN_TOTAL:<120 mΩ
CABLE TOTAL	130mΩ MAX	170mΩ MAX

(+)R=[94.2ohm/Km*(130)/1000000]/(6)Parallel=2.041mohm.
(-)R=[94.2ohm/Km*(130)/mm/1000000]/(6)Parallel=2.041mohm.

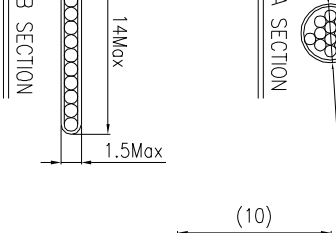
SPECIFICATIONS:
1.ELECTRICAL CHARACTERISTICS:
1-1.RATING:20V 12A
1-2.ELECTRIC WITHSTANDING VOLTAGE:150V AC FOR ONE MINUTE.
1-3.INSULATION RESISTANCE:100M MIN. MEASURED BY 150V DC.
2.MECHANICAL CHARACTERISTICS:
2-1. INSERTION FORCE : 0.7~2.0 KGF
2-2. WITHDRAWAL FORCE : 2.0 KG MAX.
2-3. WIPER SPRING FORCE : 0.7~2.0 KGF
3.LIFE TEST:1500 CYCLES MIN.



4.OTHER GENERAL SPEC. TO REFER "20W2018-047111F SPEC".
5.TO CONFORM TO SINGATRON HAZARDOUS SUBSTANCE FREE SPEC.
6.HALOGEN FREE PRODUCT IDENTIFICATION MARK ON JACK.
7.HALOGEN FREE PRODUCT IDENTIFICATION LABEL ON PACKAGING.
8.THE PANEL'S ID MUST BE GREATER THAN THE PLUG'S OD WHICH MUST HAVE A DIFFERENCE OF LESS THAN OR EQUAL TO 0.5 mm.(AS SHOWN IN FIGURE 1)



CONNECTOR	WIRE TO BOARD	CABLE TYPE/CNDR	WIRE COLOR	DC JACK
POS.1	ADP(W+)	UL10064 24#	RED	SPRING(+)
POS.2	ADP(W+)	UL10064 24#	RED	
POS.3	ADP(W+)	UL10064 24#	RED	
POS.4	ADP(W+)	UL10064 24#	RED	
POS.5	ADP(W+)	UL10064 24#	RED	SPRING(-)
POS.6	ADP(W+)	UL10064 24#	RED	
POS.7	GND(-)	UL10064 24#	BLACK	
POS.8	GND(-)	UL10064 24#	BLACK	
POS.9	GND(-)	UL10064 24#	BLACK	SPRING(+)
POS.10	GND(-)	UL10064 24#	BLACK	
POS.11	GND(-)	UL10064 24#	BLACK	
POS.12	GND(-)	UL10064 24#	BLACK	
POS.13	PS(D/S)	UL10064 26#	BROWN	SIGNAL(S)
POS.14	N/A	N/A	N/A	



ITEM	DESCRIPTION	QTY	UNIT	DESCRIPTION	QTY	UNIT
P	ADHESIVE TAPE	1		雙面膠	1	
O	ACETATE CLOTH TAPE	1		醋酸纖維布	1	
N	ACETATE CLOTH TAPE	1		T0.12	1	
M	UV GLUE	8860				
L	PPID	1		9.5L*9.5W	1	
K	LABEL	1		281*10W	1	
J	HEAT SHRINK TUBE	1		ø2.5 (125° 300V)	1	
I	CORE	1		Model: NIN621-RDU Monitor: Size: 6.5L*3.0W*3.0W SINCORE ELECTRONICS(D.C)CORP.	1	
H	HEAT SHRINK TUBE	2		ø4.0 (125° 300V)	2	
G	ACETATE TAPE	1		醋酸纖維布	1	
F	WIRE	1		UL10064 26AWG VW-1	1	
E	WIRE	6		UL10064 24AWG VW-1	6	
D	WIRE	6		UL10064 24AWG VW-1	6	
C	TERMINAL	13		TER-125021GJ001G20002	13	
B	CONNECTOR	1		HSG-125021GJ014N103Z8	1	
A	DC POWER JACK	1		TO SEE SINGATRON DC P/N: 20C2018-007111F	1	

TITLE	DC JACK + WIRE
DMW	Xuehua
CHKD	Ron
APVD	Lussen

Singatron Enterprise Co., Ltd.
信客企業股份有限公司