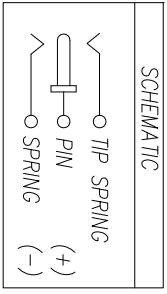
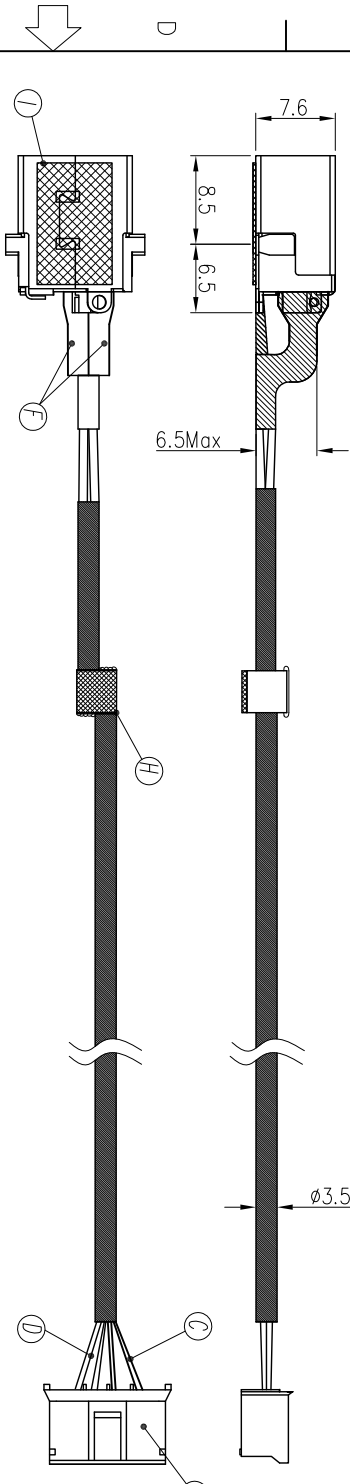
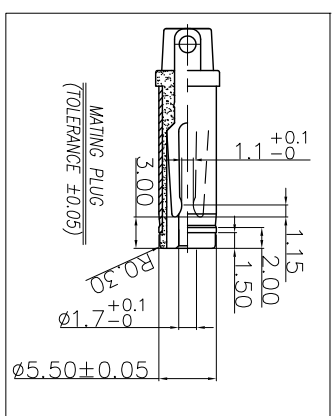
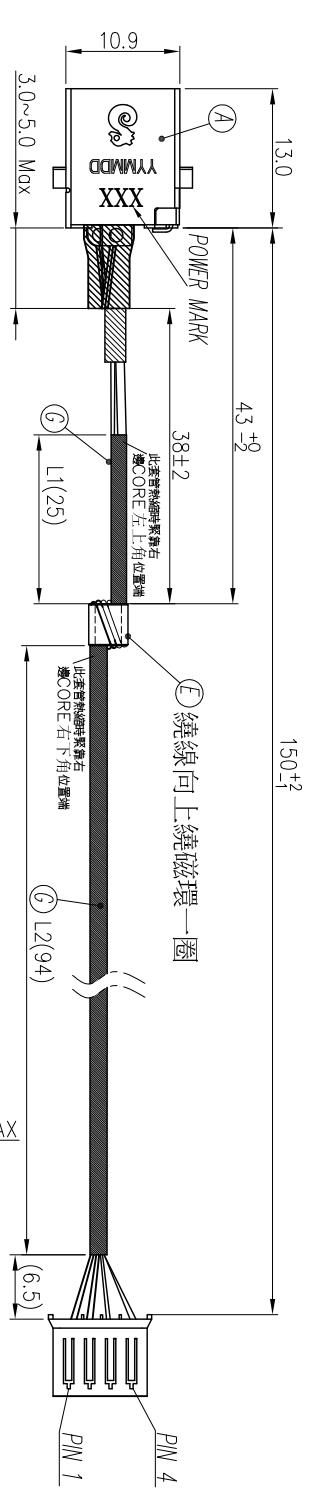
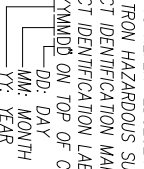


REV.	ECN NO.	OR DESCRIPTION	REVISED	DATE
F	ECN NO: S120917		SpringWang	2012.10.11
G	ECN NO: S120968		SpringWang	2012.12.04
H	ECN NO: S130151		SpringWang	2013.05.16



- SPECIFICATIONS:
- ELECTRICAL CHARACTERISTICS:
 - RATING: 13.5V 2A
 - CONTACT RESISTANCE: 50mΩ MAX.(INITIAL)
 - DIELECTRIC WITHSTANDING VOLTAGE: 500V AC FOR ONE MINUTE.
 - INSULATION RESISTANCE: 100MΩ MIN. MEASURED BY 500 V DC
 - MECHANICAL CHARACTERISTICS:
 - INSERTION FORCE : 0.3~3.0 KGf
 - WITHDRAWAL FORCE : 0.3~3.0 KGf
 - LIFE TEST: 5000 CYCLES MIN.
 - OTHER GENERAL SPEC. TO REFER "20C2024 SERIES SPEC."
 - TO CONFORM TO SINGATRON HAZARDOUS SUBSTANCE FREE SPEC.
 - HALOGEN FREE PRODUCT IDENTIFICATION MARK:
 - HALOGEN FREE PRODUCT IDENTIFICATION LABEL ON PACKAGING:
 - PRINTED DATE CODE" YMMDD ON TOP OF CONNECTOR.



WIRE DIAGRAM		CONNECTOR
DC JACK		
1	PIN (+)	RED
2	PIN (+)	RED
3	SPRING (-)	BLACK
4	SPRING (-)	BLACK

TABLE 1:

DW PART NO.	DC PART NO.	HOUSING COLOR	POWER MARK
2DW2022-000122F	2DC2024-000121	YELLOW(123C)	65W
2DW2022-000133F	2DC2024-000131	BLUE(298C)	90W

I	ADHESIVE TAPE	L10*W7.5 3M467	N/A
H	ADHESIVE TAPE	8.0*6.0 T=1.0mm	WHITE COLOR
G	HEAT SHRINK TUBE	Ø3.0(125*.300V)	BLACK
F	HEAT SHRINK TUBE	Ø3.5/Ø2.5(125*.300V)	BLACK
E	EMI CORE	Model: NiMaZn-600 Size: 9*5.6*7.65 Manu: Sincres Electronics(D.G)Corp	BLACK
D	WIRE	UL10368 26AWG	BLACK
C	WIRE	UL10368 26AWG	RED
B	CONNECTOR	TERMINAL : COPPER ALLOY HOUSING: NITON UL94V-0	TIN PLATING WHITE COLOR
A	DC POWER JACK	SEE SINGATRON P/N:	SEE TABLE 1:
NO	DESCRIPTION	MATERIAL	PLATING & COLOR
UNLESS OTHERWISE SPECIFIED TOLERANCES			
Singatron Enterprise Co., Ltd. 信音企業股份有限公司			
TITLE DC POWER JACK WITH WIRE			
DWN	SpringWang	PART NO. 2DW2022-0001XXF	
CHKD	Cerry	SCALE 2:1 UNIT: mm	
APVD	Max	SIZE: A3 SHEET: 10F1	REV: H
CUSTOMER COPY			

