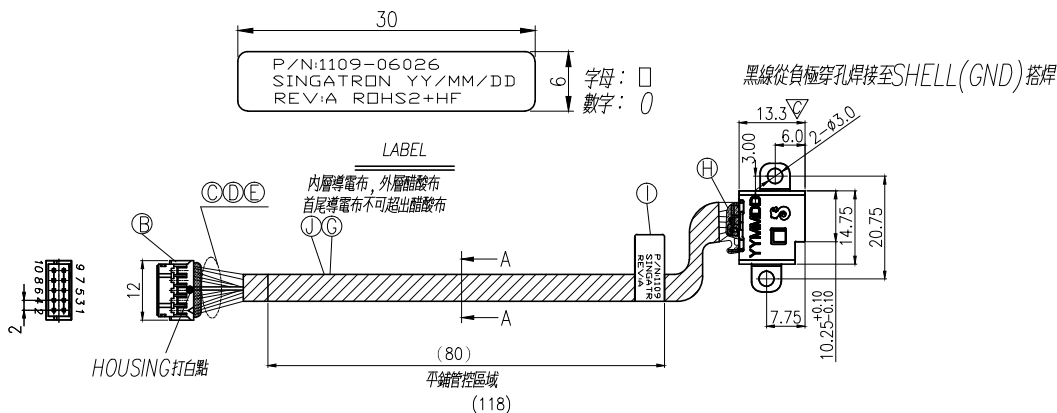
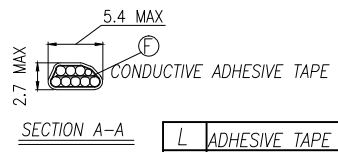
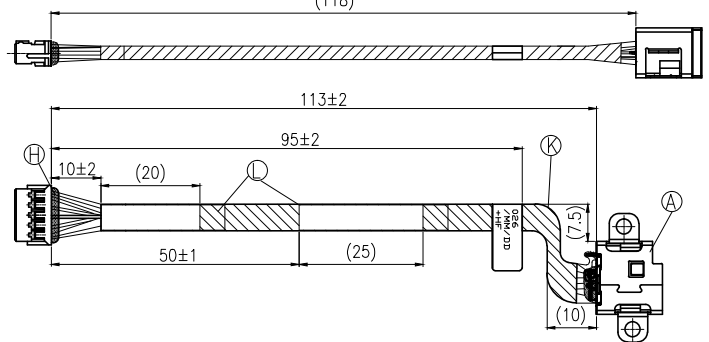
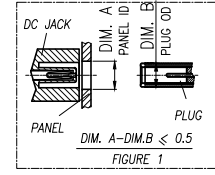


REV.	ECN NO OR DESCRIPTION	REVISED	DATE
A	PDR NO.:T210625-2A	Jie	2022.7.5

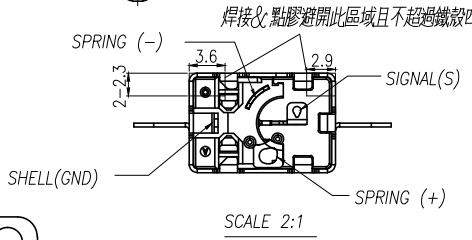
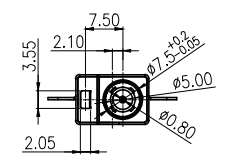


- SPECIFICATIONS:**
- ELECTRICAL CHARACTERISTICS:**
 - 1-1.RATING:20V 11.5A
 - 1-2.CONTACT RESISTANCE:30mΩ MAX.(INITIAL)(ONLY FOR DC JACK)
 - 1-3.DIELECTRIC WITHSTANDING VOLTAGE:500V AC FOR ONE MINUTE.
 - 1-4.INSULATION RESISTANCE:100M Ω MIN. MEASURED BY 500V DC.
 - MECHANICAL CHARACTERISTICS:**
 - 2-1.INSERTION FORCE:3.0 Kgf MAX.
 - 2-2.WITHDRAWAL FORCE:0.8 Kgf MIN. (INITIAL)
 - LIFE TEST:5000 CYCLES MIN.**
 - OTHER GENERAL SPEC. REFER TO "2DW3007-292111F SPEC."**
 - CONFORM TO SINGATRON HAZARDOUS SUBSTANCE FREE SPEC.**
 - HALOGEN FREE PRODUCT IDENTIFICATION MARK ON JACK:**
 - HALOGEN FREE PRODUCT IDENTIFICATION LOGO ON PACKAGING:**
 - PRINTED DATE CODE"YYMMDD" ON TOP OF JACK.**

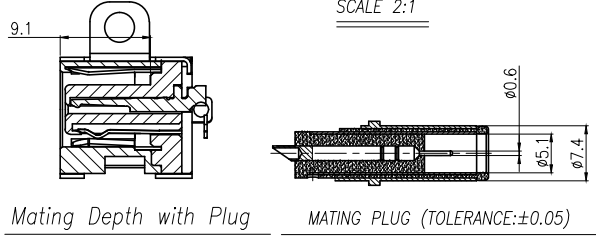
YY: YEAR
MM: MONTH
DD: DAY



PIN 1	SIGNAL	N/A	PIN 2
PIN 3	GND(-)	GND(-)	PIN 4
PIN 5	GND(-)	GND(-)	PIN 6
PIN 7	VCC(+)	VCC(+)	PIN 8
PIN 9	VCC(+)	VCC(+)	PIN 10



WIRE DIAGRAM		
CONNECTOR	WIRE COLOR	DC POWER JACK
POS.(7,8,9,10)	GRAY	SPRING (+)
POS.(3,4,5,6)	BLACK	SPRING (-)
POS.(2)	N/A	N/A
POS.(1)	BROWN	SIGNAL (S)



L	ADHESIVE TAPE	2	3M T0.17 L20&L25	BLUE
K	ACETATE TAPE	1	T0.12	BLACK
J	CONDUCTIVE ADHESIVE TAPE	1	T0.11 冲型导电布	GRAY
I	LABEL	1	L30*W6	BLACK
H	UV GLUE	N/A	8860	WHITE
G	ACETATE CLOTH TAPE	1	T0.12 冲型醋酸布	BLACK
F	ADHESIVE TAPE	1	ADHESIVE TAPE T0.1	TRANSPARENT
E	WIRE	4	UL10064 24AWG	BLACK
D	WIRE	1	UL10064 28AWG	BROWN
C	WIRE	4	UL10064 24AWG	GRAY
B	CONNECTOR	9	TERMINAL:PHOSPHOR	TIN-PLATED
B	(WJCT 399XX SERIES)	1	HOUSING:NYLON66 UL94-0	BLACK
A	DC POWER JACK	1	SINGATRON DC JACK P/N:2DC3007-208111F	
NO	DESCRIPTION	QTY	MATERIAL	PLATING & COLOR

UNLESS OTHERWISE SPECIFIED TOLERANCES		Singatron Enterprise Co., Ltd. 信音企業股份有限公司	
DECIMALS: X :±0.5 X.X :±0.3 X.XX :±0.2		TITLE: DC POWER JACK WITH WIRE HARNESS	
ANGLES: X :±2° X.X :±1°		DWN	Jie PART NO.2DW3007-292111F
		CHKD	Lussen SCALE:-- UNIT: mm
		APVD	Liao SIZE: A3 SHEET:1 OF 1 REV:A
CUSTOMER COPY			