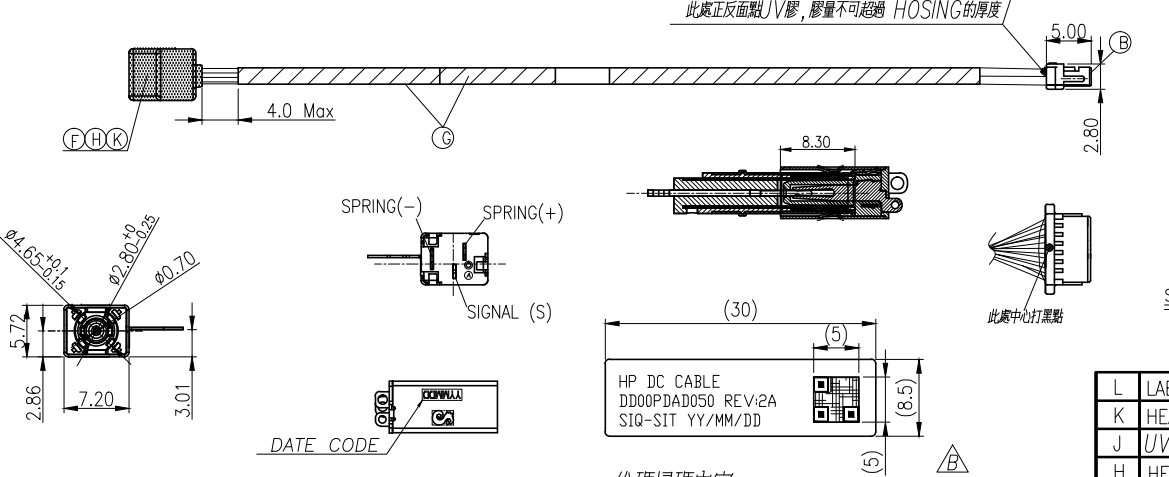
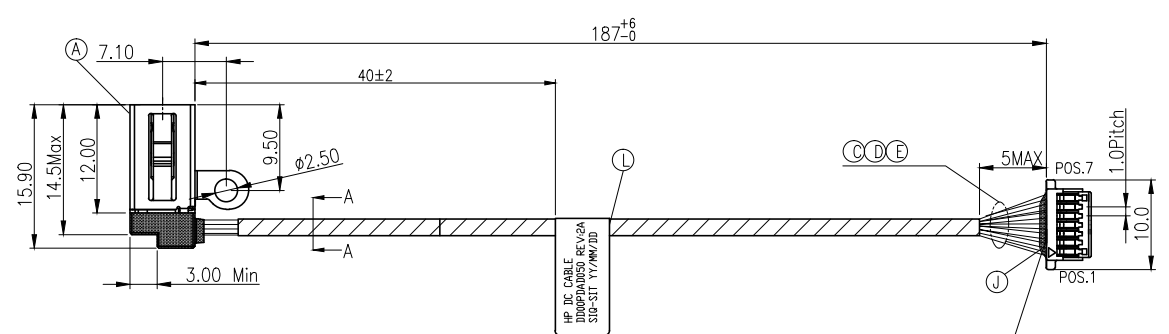
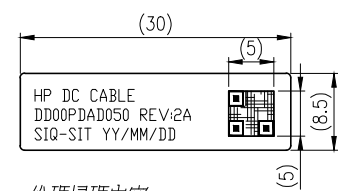
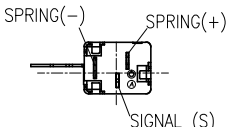
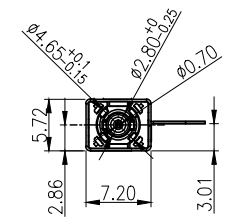
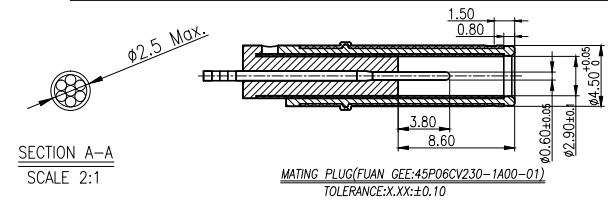


REV.	ECN NO OR DESCRIPTION	REVISED	DATE
A	PDR NO.:T211025-1A	Jie	2023.8.21
B	ECN NO.:S202308-C12/A	Yizhou	2023.10.27



DC POWER JACK	WIRE COLOR	CONNECTOR
SPRING(+)	RED	POS.(1,2,3)
SPRING(-)	BLACK	POS.(5,6,7)
SIGNAL (S)	BROWN	POS.(4)

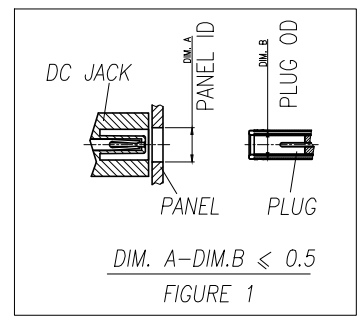


二維碼掃描內容:  
DD00PDAD050SIT2DW3069-077114FYMMDDREV:2A

PPID LABEL 一體式  
□表示數字0; □表示字母0

L	LABEL	1	L30*W8.5	WHITE
K	HEAT SHRINK TUBE	1	φ1.0 125℃ 300V	BLACK
J	UV膠	0.5g	匯建電子8860	TRANSPARENT
H	HEAT SHRINK TUBE	1	φ1.5 125℃ 300V	BLACK
G	ACETATE CLOTH TAPE	2	T0.12	BLACK
F	MACROMELT	0.5g	MACROMELT 6208	AMBER
E	WIRE	1	UL10064 28AWG	BROWN
D	WIRE	3	UL10064 28AWG	BLACK
C	WIRE	3	UL10064 28AWG	RED
B	CONNECTOR	7	TER: COPPER ALLOY	GOLD-FLASH
A	DC POWER JACK	1	TO SEE SINGATRON DC JACK P/N:2DC3069-038114F	
NO	DESCRIPTION	QTY	MATERIAL	PLATING & COLOR

UNLESS OTHERWISE SPECIFIED TOLERANCES		Singatron Enterprise Co., Ltd. 	
DECIMALS:	ANGLES:	TITLE DC POWER JACK + WIRE	
X :±0.5	X :±2°	DWN	Yizhou PART NO. 2DW3069-077114F
X.X :±0.3	X.X :±1°	CHKD	Boye SCALE:-- UNIT: mm
X.XX :±0.2		APVD	Liao SIZE: A3 SHEET:1 OF 1 REV:B
CUSTOMER COPY			



- SPECIFICATIONS:
- PRODUCT NAME:DC JACK CABLE ASSY  
HP P/N:N25653-S90
  - ELECTRICAL CHARACTERISTICS:
    - RATING:20V 5A
    - CONTACT RESISTANCE:30mΩ MAX.(INITIAL) (ONLY FOR DC JACK)
    - DIELECTRIC WITHSTANDING VOLTAGE:500V AC FOR ONE MINUTE.
    - INSULATION RESISTANCE:100MΩ MIN. MEASURED BY 500V DC.
  - MECHANICAL CHARACTERISTICS:
    - INSERTION FORCE: 2.5Kgf Max.
    - WITHDRAWAL FORCE:INITIAL 0.8Kgf MIN.;AFTER LIFE TEST:0.6Kgf MIN.
  - LIFE TEST:5,000 CYCLES MIN.
  - OTHER GENERAL SPEC. TO REFER "2DW3069-077114F SPEC".
  - TO CONFORM TO SINGATRON HAZARDOUS SUBSTANCE FREE SPEC.
  - HALOGEN FREE PRODUCT IDENTIFICATION MARK ON JACK:
  - HALOGEN FREE PRODUCT IDENTIFICATION LABEL ON PACKAGING:
  - THE PANEL'S ID MUST BE GREATER THAN THE PLUG'S OD WHICH MUST HAVE A DIFFERENCE OF LESS THAN OR EQUAL TO 0.5 mm.(AS SHOWN IN FIGURE 1.)