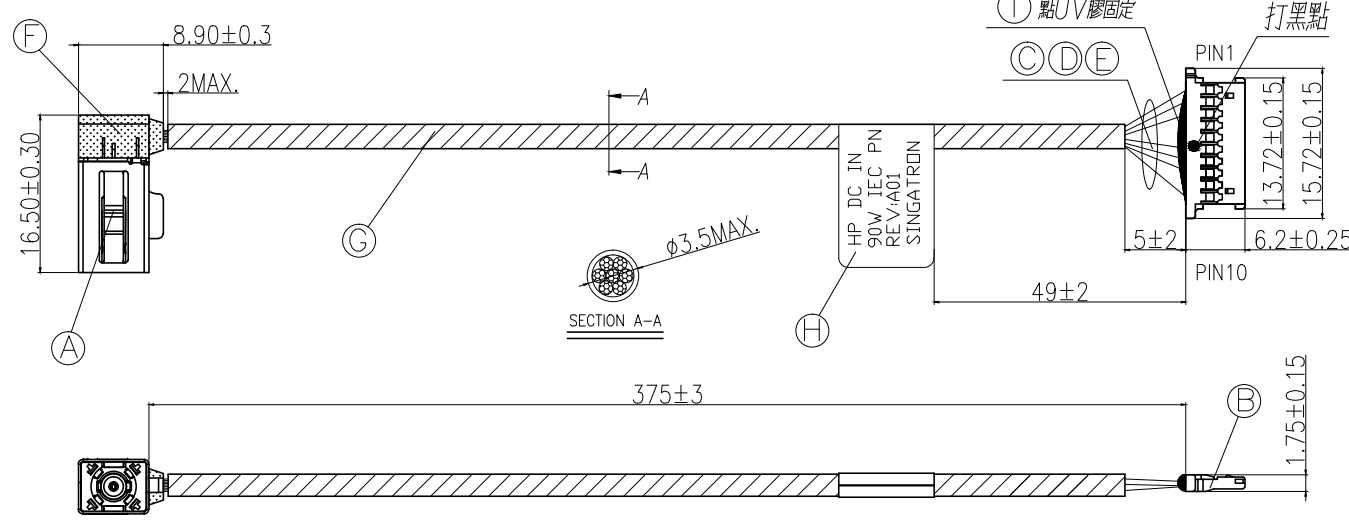
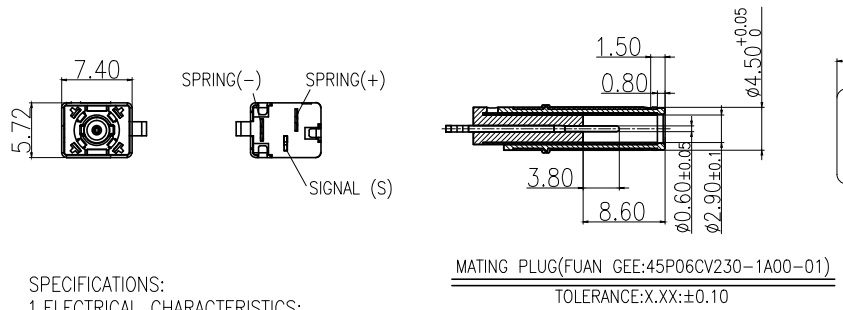
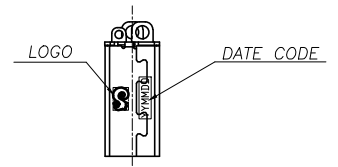


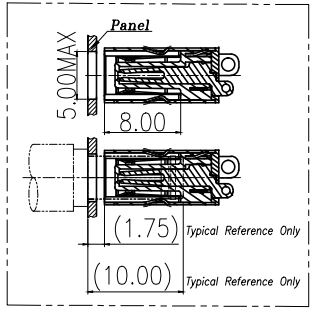
REV.	ECN NO OR DESCRIPTION	REVISED	DATE
A	PDR NO.T221012-5A	ken	2023.08.22



WIRE DIAGRAM		
DC POWER JACK	WIRE COLOR	CONNECTOR
SPRING(+)	RED	PIN.(1,2,3)
NC	N/A	PIN.(4,5)
SPRING(-)	BLACK	PIN.(6,7,8)
NC	N/A	PIN.(9)
SIGNAL (S)	WHITE	PIN.(10)



- SPECIFICATIONS:**
- ELECTRICAL CHARACTERISTICS:**
 - RATING:20V 5A.
 - CONTACT RESISTANCE:30mΩ MAX. (ONLY FOR DC JACK)
 - DIELECTRIC WITHSTANDING VOLTAGE:500V AC FOR ONE MINUTE.
 - INSULATION RESISTANCE:100MΩ MIN. MEASURED BY 500V DC.
 - MECHANICAL CHARACTERISTICS:**
 - INSERTION FORCE:2.5KGF MAX.
 - WITHDRAWAL FORCE:INITIAL 0.8Kgf MIN.;AFTER LIFE TEST:0.6Kgf MIN.
 - LIFE TEST:5,000 CYCLES MIN.
 - OTHER GENERAL SPEC. TO REFER "2DW3069-094114F SPEC".
 - TO CONFORM TO SINGATRDN HAZARDOUS SUBSTANCE FREE SPEC.
 - HALOGEN FREE PRODUCT IDENTIFICATION MARK ON JACK:
 - HALOGEN FREE PRODUCT IDENTIFICATION LABEL ON PACKAGING:
 - THE PANEL'S ID MUST BE GREATER THAN THE PLUG'S OD WHICH MUST HAVE A DIFFERENCE OF LESS THAN OR EQUAL TO 0.5 mm.(AS SHOWN IN FIGURE 1.)



NO	DESCRIPTION	QTY	MATERIAL	PLATING & COLOR
I	UV GLUE	1	UV GLUE	WHITE
H	LABEL	1	L30*W10	GREEN
G	ACETATE CLOTH TAPE	1	T0.12	BLACK
F	MACROMELT	/	MACROMELT 6208	AMBER
E	WIRE	1	UL10064 26AWG	WHITE
D	WIRE	3	UL10064 26AWG	BLACK
C	WIRE	3	UL10064 26AWG	RED
B	CONNECTOR (ACES:50280-010H0H0-001)	7	TER:PHOSPHOR BRONZE HSG:HALOGEN FREE PLASTIC HIGH TEMP UL94V-0	GOLD-FLASH WHITE
A	DC POWER JACK	1	TO SEE SINGATRDN DC JACK P/N:2DC3069-023114F	

UNLESS OTHERWISE SPECIFIED TOLERANCES		Singatron Enterprise Co., Ltd. 信音企業股份有限公司		
DECIMALS: X :±0.5 X.X :±0.3 X.XX :±0.2		TITLE: DC POWER JACK WITH WIRE HARNESS		
ANGLES: X :±2° X.X :±1°		DWN	ken	PART NO. 2DW3069-094114F
		CHKD	Lussen	SCALE:-- UNIT: mm
		APVD	Liao	SIZE: A3 SHEET:1 OF 1 REV:A
CUSTOMER COPY				