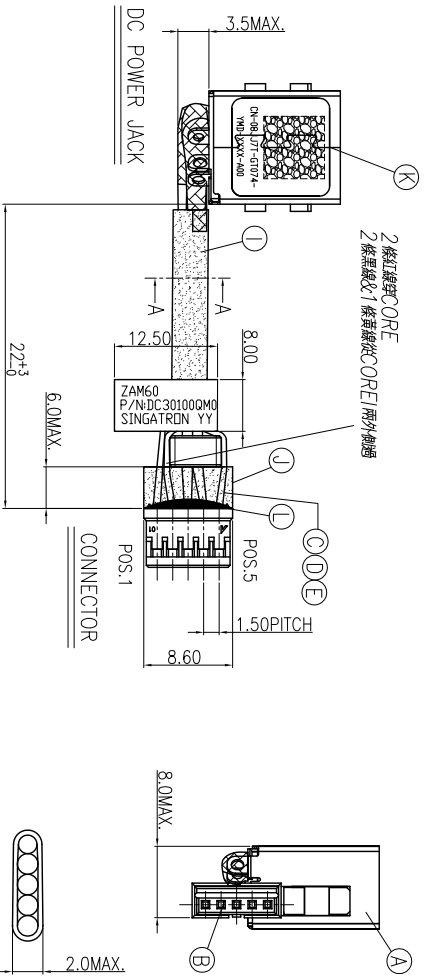
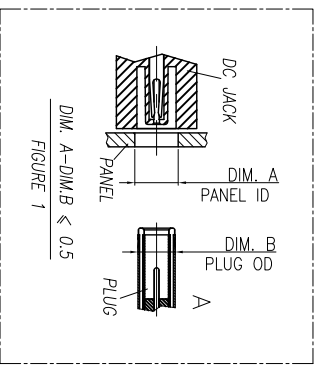
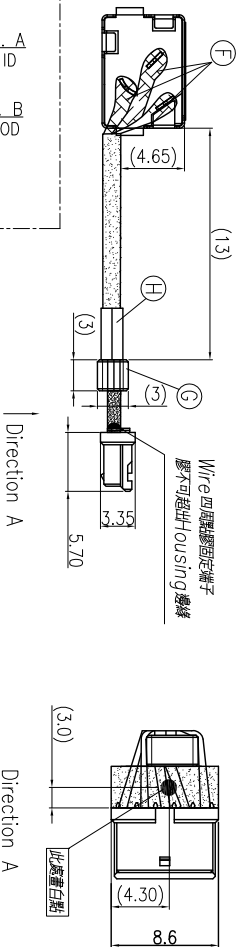


REV.	ECN NO OR DESCRIPTION	REVISED	DATE
A	PDR NO: T130816-9A	Jie	2014.11.22



SECTION A-A

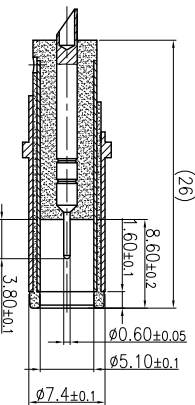
- SPECIFICATIONS:
1. ELECTRICAL CHARACTERISTICS:
- 1-1. RATING: 20V 7A
  - 1-2. CONTACT RESISTANCE: 30m MAX (INITIAL)
  - 1-3. DIELECTRIC WITHSTANDING VOLTAGE: 500V AC FOR ONE MINUTE.
  - 1-4. INSULATION RESISTANCE: 100M MIN. (MEASURED BY 500V DC).
2. MECHANICAL CHARACTERISTICS:
- 2-1. INSERTION FORCE: 1.5Kgf MAX.
  - 2-2. WITHDRAWAL FORCE: 0.5Kgf Min.
  3. LIFE TEST: 15000 CYCLES MIN.
4. OTHER GENERAL SPEC. TO REFER "2DW3089-006114F SPEC".
5. TO CONFORM TO SINGATRON HAZARDOUS SUBSTANCE FREE SPEC.
6. HALOGEN FREE PRODUCT IDENTIFICATION MARK ON JACK:
7. HALOGEN FREE PRODUCT IDENTIFICATION LABEL ON PACKAGING:
8. THE PANEL'S ID MUST BE GREATER THAN THE PLUG'S OD WHICH MUST HAVE A DIFFERENCE OF LESS THAN OR EQUAL TO 0.5 mm. (AS SHOWN IN FIGURE 1.)



LABEL

PPID LABEL

WIRE DIAGRAM	
DC JACK	WIRE COLOR
SPRING(-)	BLACK
CENTER PIN(+)	RED
SINGAL	YELLOW



MATING PLUG

NO	DESCRIPTION	QTY	MATERIAL	PLATING & COLOR
A	DC POWER JACK	1	TO SEE SINGATRON DC JACK P/N: 2DC3089-000114F	
B	CONNECTOR	1	HSC: THERMOPLASTIC USA4V-0 (4HSACE-5029405)	WHITE
C	WIRE	2	UL10368 26AWG	BLACK
D	WIRE	2	UL10368 26AWG	RED
E	WIRE	1	UL10368 28AWG	YELLOW
F	HEAT SHRINK TUBE	3	FOLYOLEFIN Ø3(125',300')	BLACK
G	EMI CORE	1	Model: NIM02n-600 Size: 5.0*3.0*3.0 Morus: Sincores Electronics(D.G.) Corp	BLACK
H	LABEL	1	25*8	WHITE
I	ACETATE CLOTH TAPE	1	W:15 ,T:0.12	BLACK
J	ACETATE CLOTH TAPE	1	W:5 ,T:0.12	BLACK
K	PPID	1	9.5*9.5	WHITE
L	UV GLUE	0.083	8860	WHITE

UNLESS OTHERWISE SPECIFIED TOLERANCES

DECIMALS: ANGLES:

X : ±0.5 X : ±2'

X.X : ±0.3 X.X : ±1'

X.XX : ±0.2

Singatron Enterprise Co., Ltd.  
信亨企業股份有限公司

TITLE DC POWER JACK+WIRE

DWN Jie

CHKD Sky

APVD Lussen

PART NO. 2DW3089-006114F

SCALE: --

UNIT: mm

SIZE: A3

SHEET: 1 OF 1

REV: A

CUSTOMER COPY