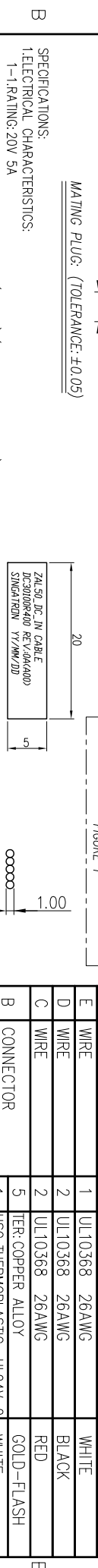
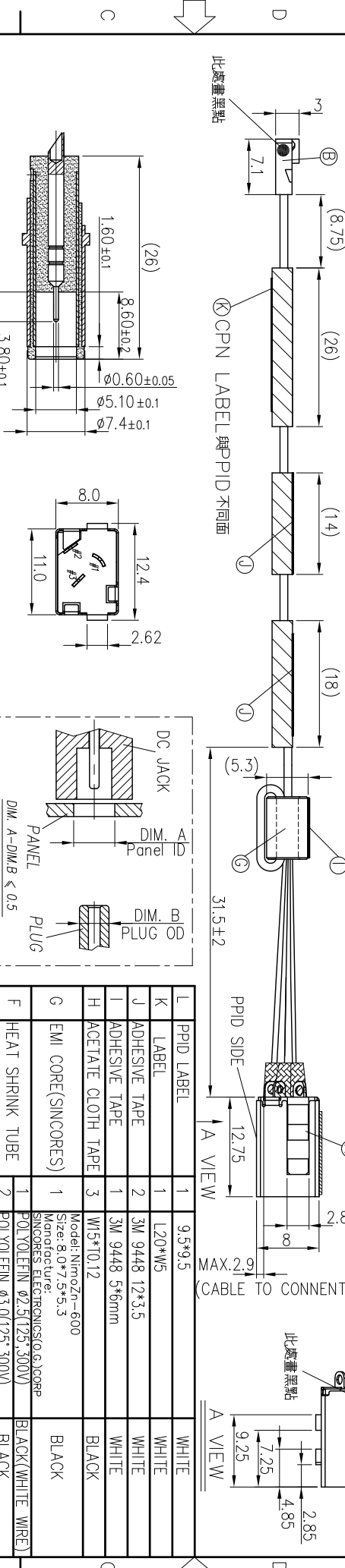
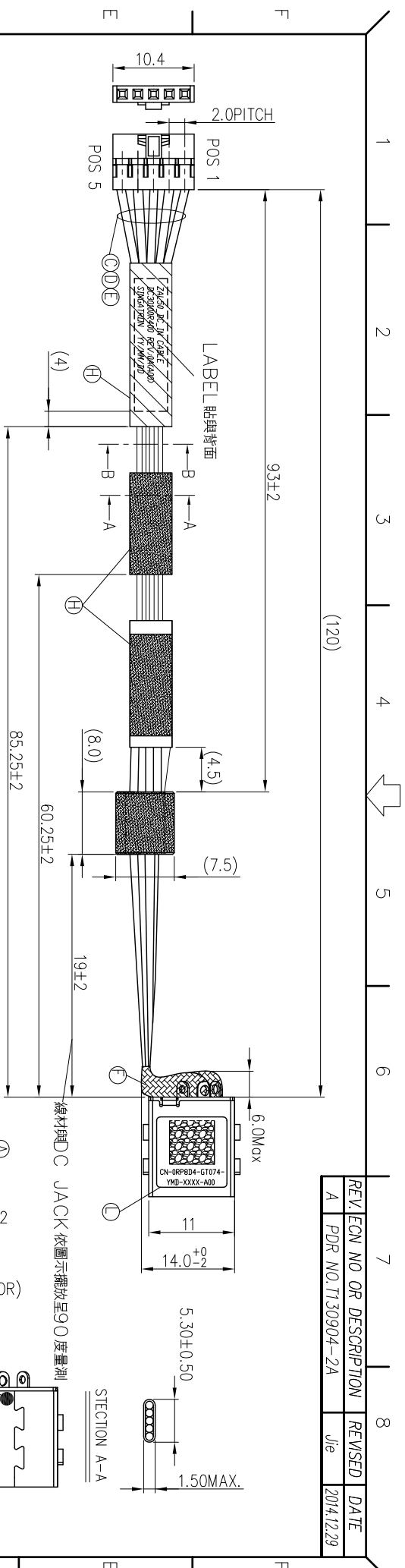


REV.	ECN NO OR DESCRIPTION	REVISED	DATE
A	PDR NO. T130904-2A	Jie	2014.12.29



3LIFE TEST: 5000 CYCLES MIN.

4. OTHER GENERAL SPEC. TO REFER "2DW3089-011114F SPEC."

5. TO CONFORM TO SINGATRON HAZARDOUS SUBSTANCE FREE SPEC.

6. HALOGEN FREE PRODUCT IDENTIFICATION MARK ON JACK:

7. HALOGEN FREE PRODUCT IDENTIFICATION LABEL ON PACKAGING:

8. THE PANEL'S ID MUST BE GREATER THAN THE PLUG'S OD WHICH MUST HAVE A DIFFERENCE OF LESS THAN OR EQUAL TO 0.5 mm. (AS SHOWN IN FIGURE 1.)

CONNECTOR	WIRE COLOR	DC POWER JACK
POS 1	WHITE (UL10368 26AWG)	#3 SIGNAL (S)
POS 2	BLACK (UL10368 26AWG)	#3 SIGNAL (-)
POS 3	BLACK (UL10368 26AWG)	#3 SIGNAL (+)
POS 4	RED (UL10368 26AWG)	SHELL (GND)
POS 5	RED (UL10368 26AWG)	#1 SPRING (+)

UNLESS OTHERWISE SPECIFIED TOLERANCES	DECIMALS:	ANGLES:
	: ±0.5	X : ±2°
	: ±0.3	X.X : ±1°
	: ±0.2	X.XX : ±0.2

QTY	MATERIAL	PLATING & COLOR
1	Model: Nimozn-600 Size: 8.0*7.5*5.3	BLACK
1	Mordac ure SINCORES ELECTRONICS (S. SINGAPORE) POLYOLEFIN Ø2.5(125,300V)	BLACK(WHITE WIRE)
2	POLYOLEFIN Ø3.0(125,300V)	BLACK
1	UL10368 26AWG	WHITE
1	UL10368 26AWG	WHITE
2	UL10368 26AWG	BLACK
2	UL10368 26AWG	BLACK
2	UL10368 26AWG	RED
2	UL10368 26AWG	RED
5	TER. COPPER ALLOY	GOLD-FLASH
1	HSG. THERMOPLASTIC UL94V-0	WHITE
1	TO SEE SINGATRON DC JACK P/N: 20C3089-000114F	

SINGATRON Enterprise Co., Ltd.  
信晉企業股份有限公司

TITLE	DC POWER JACK + WIRE
DWN	Jie
CHKD	Sky
APVD	Lussen

PART NO. 2DW3089-011114F  
SCALE: --  
UNIT: mm  
SHEET: 1 OF 1  
REV: A

CUSTOMER COPY