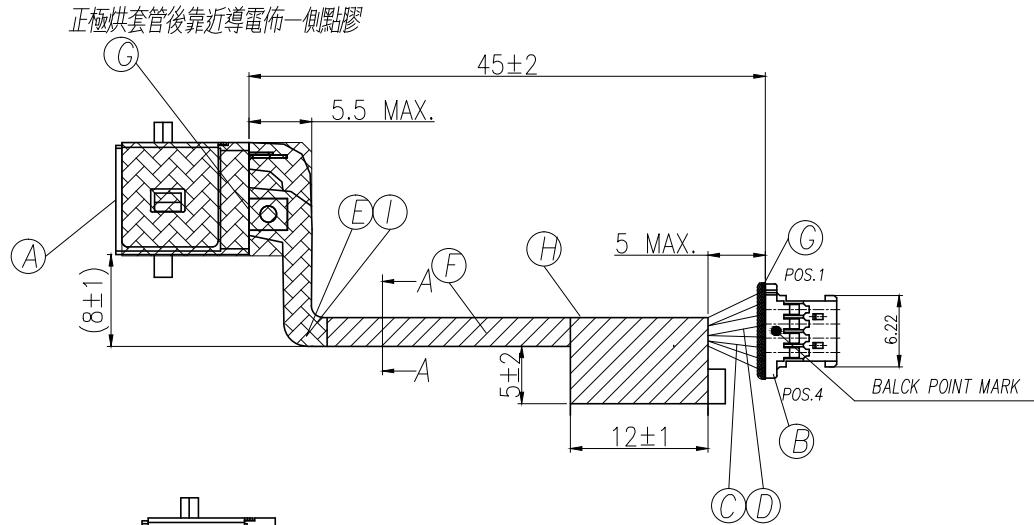
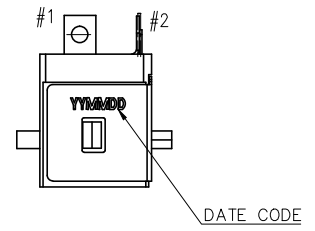
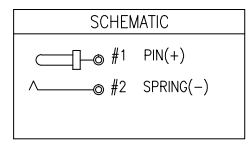
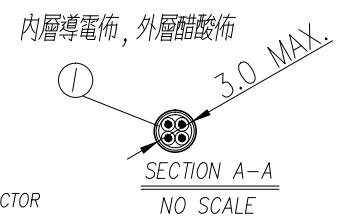
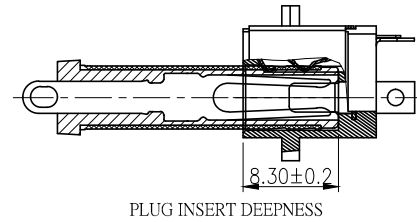


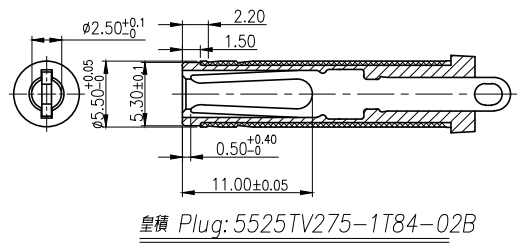
REV.	ECN NO OR DESCRIPTION	REVISED	DATE
A	PDR NO.:T220225-3A	Jie	2023.4.4



WIRE DIAGRAM		
WIRE TO BOARD CONNECTOR	WIRE	DC POWER JACK
POS.4	BLACK(UL10064 26AWG)	SPRING(-)
POS.3	BLACK(UL10064 26AWG)	SPRING(-)
POS.2	RED (UL10064 26AWG)	PIN (+)
POS.1	RED (UL10064 26AWG)	PIN (+)



- DC POEWR JACK WITH WIRE AND WIRE TO BOARD CONNECTOR
  - 1-1.RATING: 20V 3.5A
  - 1-2.TEMPERATURE RISE : THE TEMPERATURE RISE SHALL NOT EXCEED 30 DEGREE C
  - 1-3.VOLTAGE DROP : THE VOLTAGE DROP SHALL NOT EXCEED 60mV.
- DC POEWR JACK- p/n: 2DC3120-001111F
  - 2-1.RATING: 20V 7A
  - 2-2.CONTACT RESISTANCE:30m ΩMAX.(INITIAL).
  - 2-3.DIELECTRIC WITHSTANDING VOLTAGE:500V AC FOR ONE MINUTE.
  - 2-4.INSULATION RESISTANCE:100MΩMIN. MEASURED BY 500V DC.
  - 2-5.INSERTION FORCE:3.0 kgf Max. (INITIAL / AFTER LIFE TEST)
  - 2-6.WITHDRAWAL FORCE:0.5~3.0 Kgf. (INITIAL / AFTER LIFE TEST)
  - 2-7.LIFE TEST:5000 CYCLES MIN.
- WIRE TO BOARD CONNECTOR - VENDER : ACES , p/n: 50280 SERIES
  - 3-1.RATING CURRENT : 2.3A /PER PIN (AWG #26 OR MORE)
- OTHER GENERAL SPEC. REFER TO "2DW3120-036111F SPEC".
- TO CONFORM TO SINGATRON HAZARDOUS SUBSTANCE FREE SPEC.
- HALOGEN FREE PRODUCT IDENTIFICATION MARK ON PRODUCT:
- HALOGEN FREE PRODUCT IDENTIFICATION LOGO ON PACKAGING:
- PRINTED DATE CODE" YYMMDD " ON TOP OF CONNECTOR.  
DATE CODE: YYMMDD (YY:YEAR MM:MONTH DD:DAY)



I	CONDUCTIVE ADHESIVE TAPE	2	0.11T	GRAY
H	ACETATE TAPE	1	0.12T	BLACK
G	UV GLUE	/	8860	TRANSPARENT
F	ACETATE TAPE	1	0.12T	BLACK
E	HEAT SHRINK TUBE	2	POLYOLEFIN φ3.0(125°,300V)	BLACK
D	WIRE	2	UL10064 26AWG	BLACK
C	WIRE	2	UL10064 26AWG	RED
B	TERMINAL	4	ACES 88232-T	GOLD-FLASH
B	HOUSING	1	ACES 50280-004H0H0-001	WHITE
A	DC POWER JACK	1	SEE SINGATRON P/N:2DC3120-001111F	
NO	DESCRIPTION	QTY	MATERIAL	PLATING & COLOR
UNLESS OTHERWISE SPECIFIED TOLERANCES		Singatron Enterprise Co., Ltd. 信音企業股份有限公司		
DECIMALS:	ANGLES:	TITLE		
X :±0.5	X :±2°	DC POWER JACK WIHT WIRE		
X.X :±0.3	X.X :±1°	DWN	Jie	PART NO.2DW3120-039111F
X.XX :±0.2		CHKD	Lussen	SCALE:4:1 UNIT: mm
		APVD	Liao	SIZE: A3 SHEET:1 OF 1 REV:A
CUSTOMER COPY				