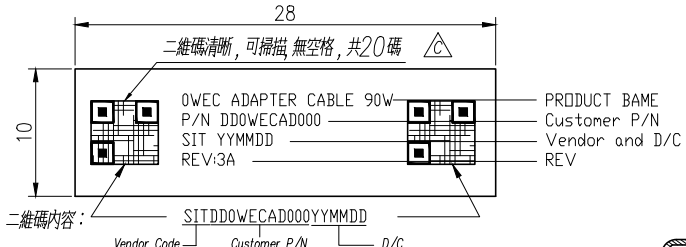
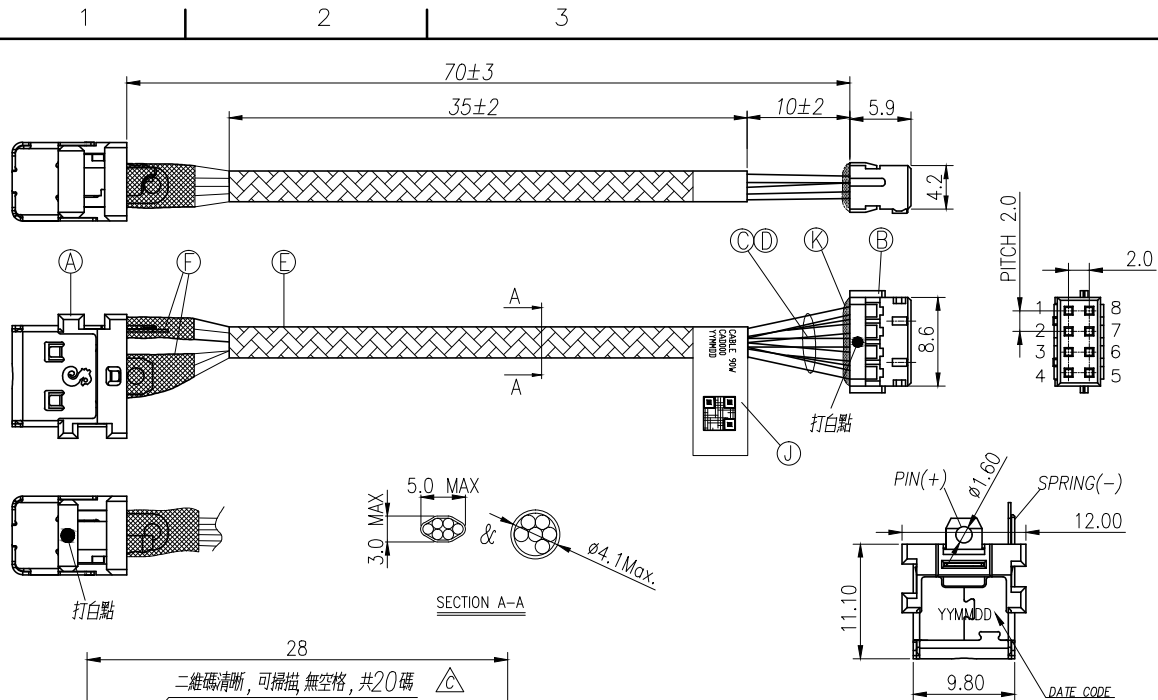


REV.	ECN NO OR DESCRIPTION	REVISED	DATE
A	PDR NO. T200518-4A	Peng	2020.10.13
B	ECN NO.S202101-Q02	Xuehua	2021.3.11
C	ECN NO.S202307-C20	Yizhou	2023.11.1

- SPECIFICATIONS:
- DC POEWR JACK ADD WIRE TO BOARD CONNECTOR
 - 1-1.RATING: 19V/4.8A.(91.2W)
 - 1-2.TEMPERATURE RISE: THE TEMPERATURE RISE SHALL NOT EXCEED 30°C.
 - 1-3.VOLTAGE DROP: THE VOLTAGE DROP SHALL NOT EXCEED 60mV.
 - DC POEWR JACK- p/n: 2DC3156-000111F
 - 2-1.RATING: 20V/10A.
 - 2-2.CONTACT RESISTANCE:15mΩ MAX.
 - 2-3.DIELECTRIC WITHSTANDING VOLTAGE:500V AC FOR ONE MINUTE.
 - 2-4.INSULATION RESISTANCE:100MΩ MIN. MEASURED BY 500V DC.
 - 2-5.INSERTION FORCE:0.8~2.0 kg (INITIAL / AFTER LIFE TEST)
 - 2-6.WITHDRAWAL FORCE:0.8~2.0 kg (INITIAL / AFTER LIFE TEST)
 - 2-7.LIFE TEST:8000 CYCLES MIN.
 - WIRE TO BOARD CONNECTOR - VENDER : ACES: 50404-8pin
 - OTHER GENERAL SPEC. TO REFER "2DW3156-029111F SPEC".
 - TO CONFORM TO SINGATRON HAZARDOUS SUBSTANCE FREE SPEC.
 - HALOGEN FREE PRODUCT IDENTIFICATION MARK ON PRODUCT:
 - HALOGEN FREE PRODUCT IDENTIFICATION LOGO ON PACKAGING:
 - PRINTED DATE CODE "YYMMDD" ON TOP OF CONNECTOR.
DATE CODE:YYMMDD (Y:YEAR M:MONTH D:DAY X: 生連別)

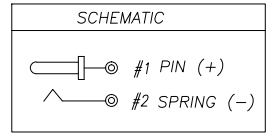
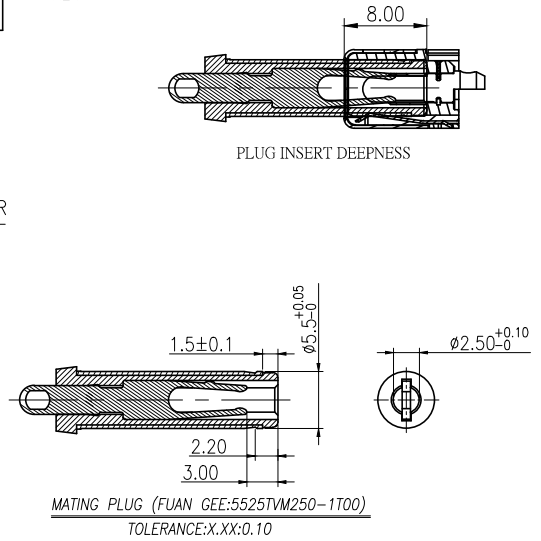


備註:
第1, 4行只打在label上, 不顯示在條碼里
第2, 3行打在label上, 且顯示在條碼里

LABEL DETAIL

WIRE DIAGRAM

DC JACK	WIRE COLOR	CONNECTOR
空 Pin	N/A	8
	N/A	7
	RED	6
Pin(+)	RED	3
	RED	2
	BLACK	5
SPRING(-)	BLACK	4
	BLACK	1



K	UV膠	1	8860	WHITE
J	LABEL	1	L28*W10	WHITE
F	HEAT SHRINK TUBE	2	POLYOLEFIN 3.5(125',300V)	BLACK
E	ACETATE TAPE	1	T0.12	BLACK
D	WIRE	3	UL10368 26AWG	BLACK
C	WIRE	3	UL10368 26AWG	RED
B	CONNECTOR (ACES 50404-008H0H1-001)	6	TER:PHOSPHOR BRONZE	TIN-PLATED
		1	HSG:NYLON UL94V-0	BLACK
A	DC POWER JACK	1	DC JACK P/N: 2DC3156-000111F	

NO	DESCRIPTION	QTY	MATERIAL	PLATING & COLOR
UNLESS OTHERWISE SPECIFIED TOLERANCES				
			Singatron Enterprise Co., Ltd. 信音企業股份有限公司	
DECIMALS:		TITLE		
X :±0.5	X :±2'	DC POWER JACK + WIRE		
X.X :±0.3	X.X :±1'	DWN	Yizhou	PART NO. 2DW3156-029111F
X.XX :±0.2		CHKD	Boye	SCALE:-- UNIT: mm
		APVD	Liao	SIZE: A3 SHEET:1 OF 1 REV:C
CUSTOMER COPY				