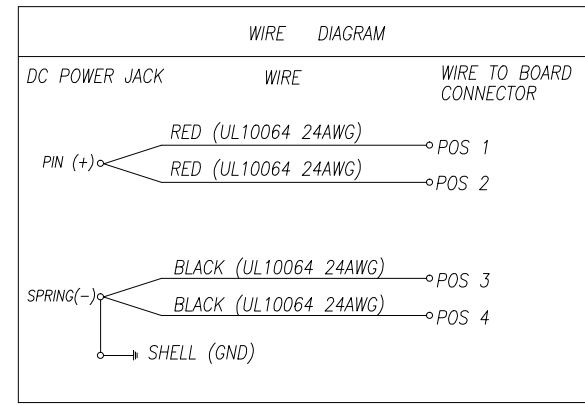
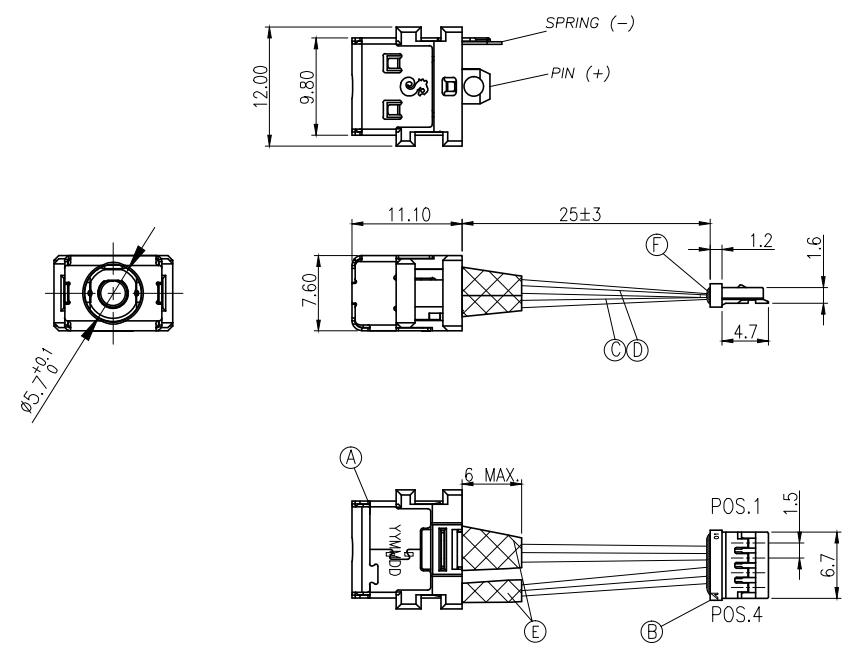
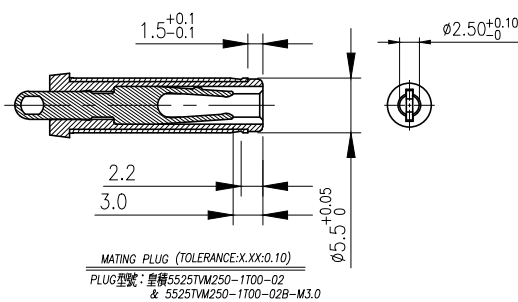


REV.	ECN NO OR DESCRIPTION	REVISED	DATE
A	PDR NO.:T210610-5A	Jie	2022.10.18



- SPECIFICATIONS:**
- DC POWER JACK ADD WIRE AND WIRE TO BOARD CONNECTOR.
 - RATING: 20V 5A.
 - TEMPERATURE RISE : THE TEMPERATURE RISE SHALL NOT EXCEED 30 °C.
 - VOLTAGE DROP ; THE VOLTAGE DROP SHALL NOT EXCEED 60mV.
 - DC POWER JACK-P/N:2DC3156-004111F.
 - RATING: 20V 10A.
 - CONTACT RESISTANCE: 15MΩ MAX.(INITIAL / AFTER LIFE TEST)
 - DIELECTRIC WITHSTANDING VOLTAGE: 500V AC FOR ONE MINUTR.
 - INSULATION RESISTANCE: 100MΩ MIN. MEASURED BY 500V DC.
 - INSERTION FORCE: 0.8~2.0 Kgf. (INITIAL / AFTER LIFE TEST)
 - WITHDRAWAL FORCE: 0.8~2.0 Kgf. (INITIAL / AFTER LIFE TEST)
 - LIFT TEST: 8000 CYCLES MIN.
 - WIRE TO BOARD CONNECTOR - VENDER : ACES, P/N:51203.
 - RATING CURRENT : 4A/PER PIN.(AWG 24 OR MORE)
 - OTHER GENERAL SPEC. REFER TO "2DW3156-038111F SPEC".
 - TO CONFORM TO SINGATRON HAZARDOUS SUBSTANCE FREE SPEC.
 - HALOGEN FREE PRODUCT IDENTIFICATION MARK ON PRODUCT:
 - HALOGEN FREE PRODUCT IDENTIFICATION LOGO ON PACKAGING:
 - PRINTED DATE CODE "YYMMDD" ON TOP OF CONNECTOR.
DATE CODE: YYMMDD (YY:YEAR MM:MONTH DD:DAY)



F	UV GLUE	NA	8861	TRANSPARENT
E	HEAT SHRINK TUBE	2	ø3.5*(125°,300V)	BLACK
D	WIRE	2	UL10064 24AWG	BLACK
C	WIRE	2	UL10064 24AWG	RED
B	CONNECTOR (ACES 51203)	4	PHOSPHOR BRONZE	GOLD FLASH
		1	NYLON66 UL94V-0	BLACK
A	DC POWER JACK	1	TO SEE SINGATRON DC JACK P/N:2DC3156-004111F	
NO	DESCRIPTION	QTY	MATERIAL	PLATING & COLOR
UNLESS OTHERWISE SPECIFIED TOLERANCES		Singatron Enterprise Co., Ltd. 信音企業股份有限公司		
DECIMALS:	ANGLES:	TITLE	DC POWER JACK+WITH CABLE	
X : ±0.5	X : ±2°	DWN	Jie	PART NO.2DW3156-038111F
X.X : ±0.3	X.X : ±1°	CHKD	Lussen	SCALE:-- UNIT: mm
X.XX : ±0.2		APVD	Liao	SIZE: A3 SHEET:1 OF 1 REV: A
CUSTOMER COPY				