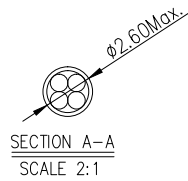
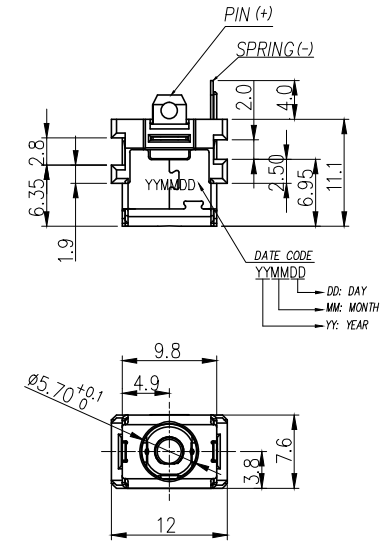
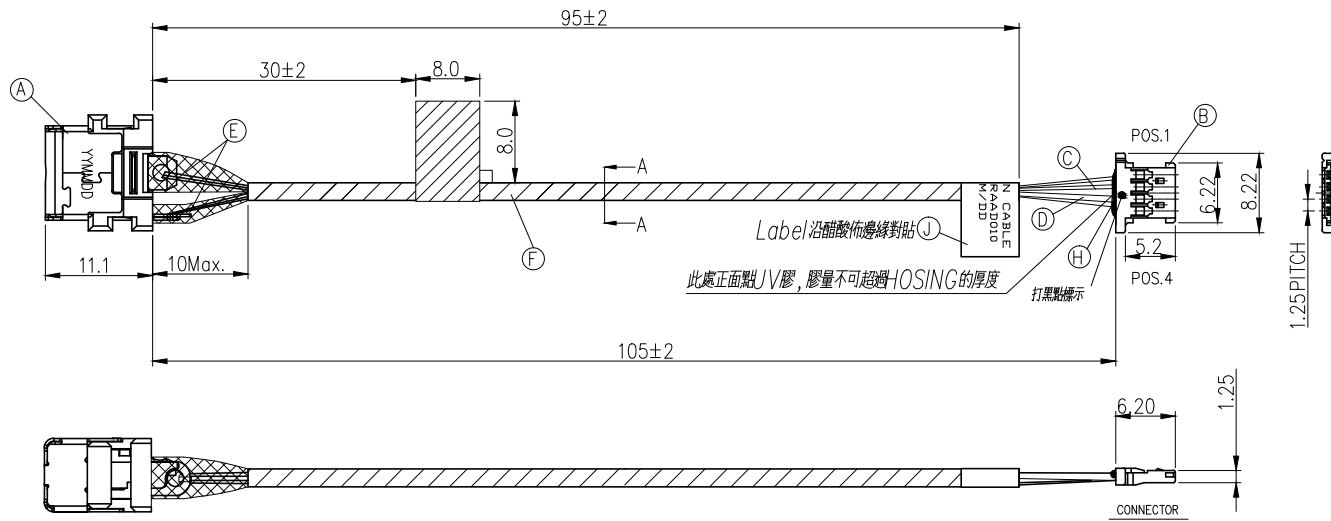
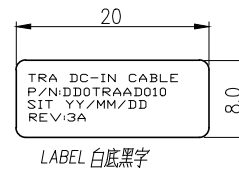


REV.	ECN NO OR DESCRIPTION	REVISED	DATE
A	PDR NO: T220919-2A	Can	2023.11.21



WIRE DIAGRAM		
DC POWER JACK	WIRE COLOR	CONNECTOR
PIN (+)	RED	POS.(1,2)
SPRING(-)	BLACK	POS.(3,4)

MATING PLUG (TOLERANCE: X.XX: 0.10)
 PLUG 型號 皇積 5525TVM250-1T00-02 & 5525TVM250-1T00-02B-M3.0



SPECIFICATIONS:

1.ELECTRICAL CHARACTERISTICS:

- 1-1.RATING:19V 4.8A
- 1-2.CONTACT RESISTANCE:30mΩMAX.(INITIAL) (ONLY FOR DC JACK)
- 1-3.DIELECTRIC WITHSTANDING VOLTAGE:500V AC FOR ONE MINUTE.
- 1-4.INSULATION RESISTANCE:100MΩMIN. MEASURED BY 500V DC.

2.MECHANICAL CHARACTERISTICS:

- 2-1. INSERTION FORCE : 0.8~2.0kg.(INITIAL / AFTER LIFE TEST)
- 2-2. WITHDRAWAL FORCE : 0.8~2.0kg.

3.LIFE TEST:8,000 CYCLES MIN.

4.OTHER GENERAL SPEC. TO REFER "2DW3156-042111F SPEC".

5.TO CONFORM TO SINGATRON HAZARDOUS SUBSTANCE FREE SPEC.

6.HALOGEN FREE PRODUCT IDENTIFICATION MARK ON JACK:

7.HALOGEN FREE PRODUCT IDENTIFICATION LABEL ON PACKAGING:

8.THE PANEL'S ID MUST BE GREATER THAN THE PLUG'S OD WHICH MUST HAVE A DIFFERENCE OF LESS THAN OR EQUAL TO 0.5 mm.(AS SHOWN IN FIGURE 1.)

NO	DESCRIPTION	QTY	MATERIAL	PLATING & COLOR
J	LABEL	1	20L*8W	WHITE
H	UV膠	0.5g	匯建電子8861	WHITE
F	ACETATE CLOTH TAPE	1	T0.12	BLACK
E	HEAT SHRINK TUBE	2	φ4.0*(125°,300V)	BLACK
D	WIRE	2	UL10064 26AWG	BLACK
C	WIRE	2	UL10064 26AWG	RED
B	CONNECTOR	4	TER: COPPER ALLOY	GOLD-FLASH
	(ACES: 50280-004H0H0-001)	1	HSG: THERMOPLASTIC UL94V-0	WHITE
A	DC POWER JACK	1	2DC3156-000111F	

UNLESS OTHERWISE SPECIFIED TOLERANCES

Singatron Enterprise Co., Ltd.
 信音企業股份有限公司

DECIMALS:	ANGLES:	TITLE	DC POWER JACK WITH WIRE	
X : ±0.5	X : ±2°	DWN Can	PART NO. 2DW3156-042111F	
X.X : ±0.3	X.X : ±1°	CHKD	SCALE: --	UNI: mm
X.XX : ±0.2		APVD	SIZE: A3	SHEET: 1 OF 1 REV:A
CUSTOMER COPY				