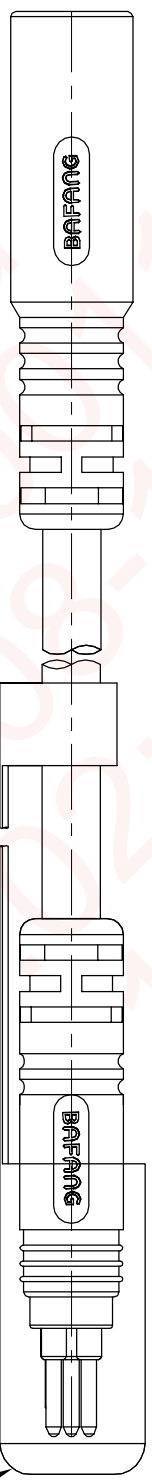
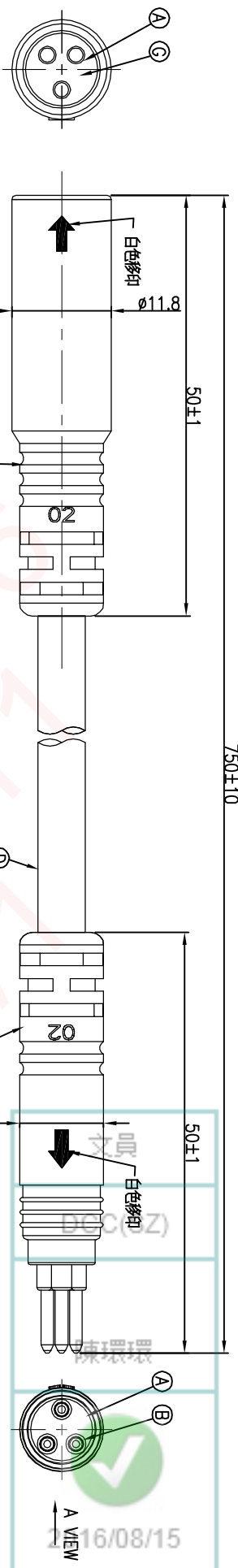
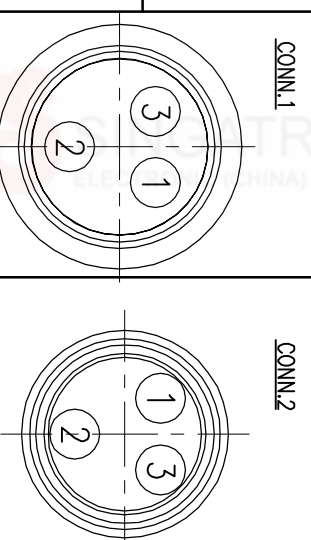


REV.	ECN NO.	OR DESCRIPTION	REVISED	DATE
A	PDR NO.:S150703-4A		Vicky	2015.07.01
B	ECN NO.: S151212-C		Vicky	2016.03.16
C	ECN NO.: S160801-R		Harlan	2016.08.01



Wire Color	CONN.1	CONN.2
YELLOW		3
BLUE		2
GREEN	1	1
WIRE COLOR	CONN.1	CONN.2
PIN OUT		



NOTES:

1. WATERPROOF RATE: IP65
2. CURRENT RATING: 10A
3. CONTACT RESISTANCE: 3 Ohm Max.
4. HI-POT TEST 800V AC, 5mA(1SEC)
5. INSULATION RESISTANCE: 30Mohm MIN. BY 500V DC
6. SPECIFICATIONS:SEE "E-BIKE SERIES SPECIFICATIONS."
7. TO CONFORM TO THE SINGATRON HAZARDOUS SUBSTANCE FREE SPEC.
8. GREEN PRODUCT IDENTIFICATION LABEL ON PACKAGING:

NO	DESCRIPTION	QTY	MATERIAL	PLATING & COLOR
A	BODY	2	PA66+GF	BLACK
B	MALE PIN	3	BRASS	1~3u" GOLD PLATING OVER NICKEL PLATING
C	OVER MOLD	1	HYTREL	BLACK
D	CABLE	1	16#*3C Ø5.6	BLACK(PVC JACKET)
E	INNER MOLD	1	PVC	BLACK
F	CAP	1	PA66	NATURAL
G	FEMALE PIN	3	Phosphor Bronze	1~3u" GOLD PLATING OVER NICKEL PLATING
H	INNER MOLD	1	ABS	NATURAL
I	OVER MOLD	1	TPU	BLACK

UNLESS OTHERWISE SPECIFIED TOLERANCES

DECIMALS:	ANGLES:
X :±0.5	X :±2°
X.X :±0.3	X.X :±1°
X.XX :±0.2	

TITLE: E-BIKE SERIES 180° 3 PIN CONN.
 Singatron Enterprise Co., Ltd.
 信管企業股份有限公司

CHKD	APVD	SCALE	SIZE	SHEET	REV
Vicky	Steve	2:1	A3	1 OF 1	C

CUSTOMER COPY