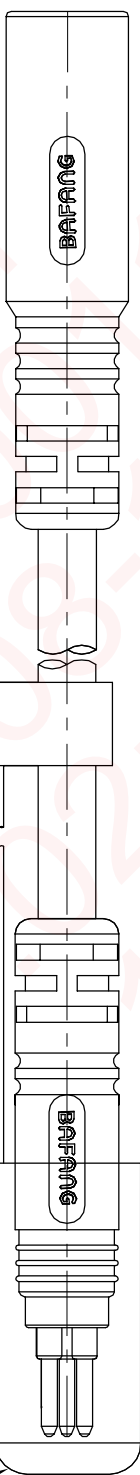
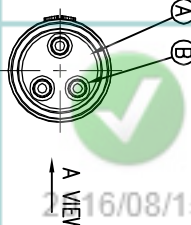
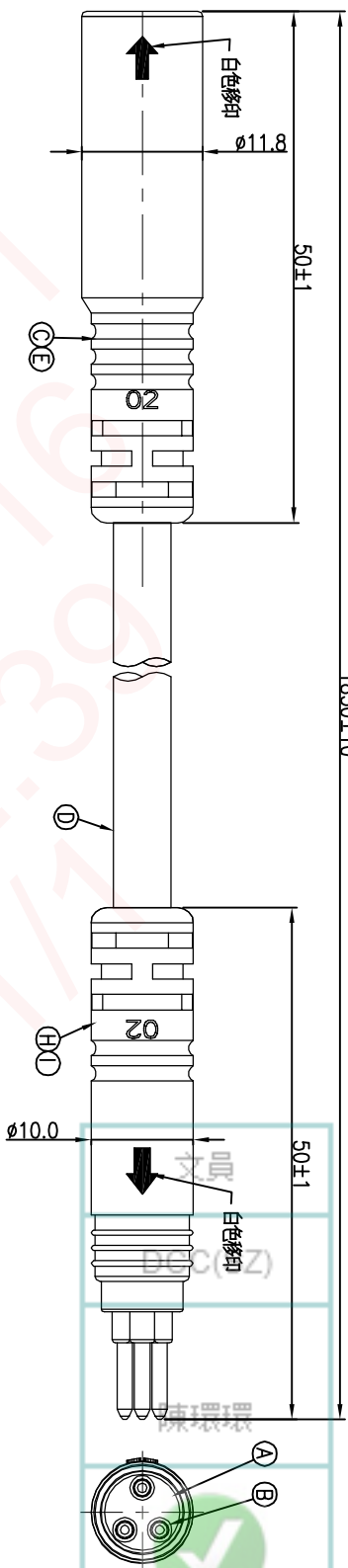
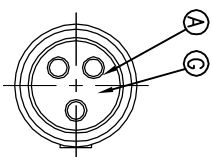
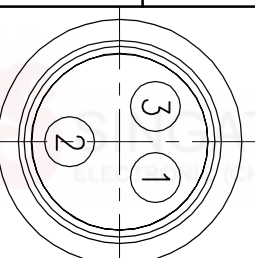


REV.	ECN NO.	OR DESCRIPTION	REVISED	DATE
A	PDR NO.:S150730-13A		Vicky	2015.07.28
B	ECN NO.: S151212-C		Vicky	2016.03.17
C	ECN NO.: S160801-R		Harden	2016.08.01

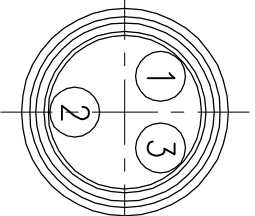


CONN.1	WIRE COLOR	CONN.2
3	YELLOW	3
2	BLUE	2
1	GREEN	1

PIN OUT



Pin Assignments
Front View



Pin Assignments
Front View

NOTES:

1. WATERPROOF RATE: IP65
2. CURRENT RATING: 10A
3. CONTACT RESISTANCE: 3 Ohm Max.
4. HI-POT TEST 800V AC, 5mA(1SEC)
5. INSULATION RESISTANCE: 30Mohm MIN. BY 500V DC
6. SPECIFICATIONS:SEE "E-BIKE SERIES SPECIFICATIONS."
7. TO CONFORM TO THE SINGATRON HAZARDOUS SUBSTANCE FREE SPEC.
8. GREEN PRODUCT IDENTIFICATION LABEL ON PACKAGING:

NO	DESCRIPTION	QTY	MATERIAL	PLATING & COLOR
A	BODY	2	PA66+GF	BLACK
B	MALE PIN	3	BRASS	1~3u" GOLD PLATING OVER NICKEL PLATING
C	OVER MOLD	1	HYTREL	BLACK
D	CABLE	1	16#*3C Ø5.6	BLACK(PVC JACKET)
E	INNER MOLD	1	PVC	BLACK
F	CAP	1	PA66	NATURAL
G	FEMALE PIN	3	Phosphor Bronze	1~3u" GOLD PLATING OVER NICKEL PLATING
H	INNER MOLD	1	ABS	NATURAL
I	OVER MOLD	1	TPU	BLACK

UNLESS OTHERWISE SPECIFIED TOLERANCES

DECIMALS:	ANGLES:
X :±0.5	X :±2°
X.X :±0.3	X.X :±1°
X.XX :±0.2	

Singatron Enterprise Co., Ltd.
信管企業股份有限公司

TITLE E-BIKE SERIES 180° 3 PIN CONN.

DWN	Vicky	PART NO. 2EB3004-W0343SH
CHKD	Harden	SCALE 2:1 UNIT: mm
APVD	Steve	SIZE: A3 SHEET: 1 OF 1 REV: C

CUSTOMER COPY