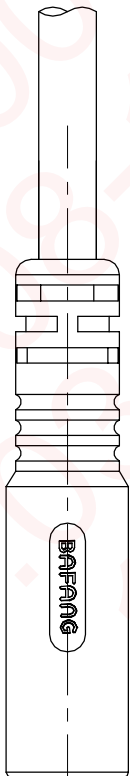
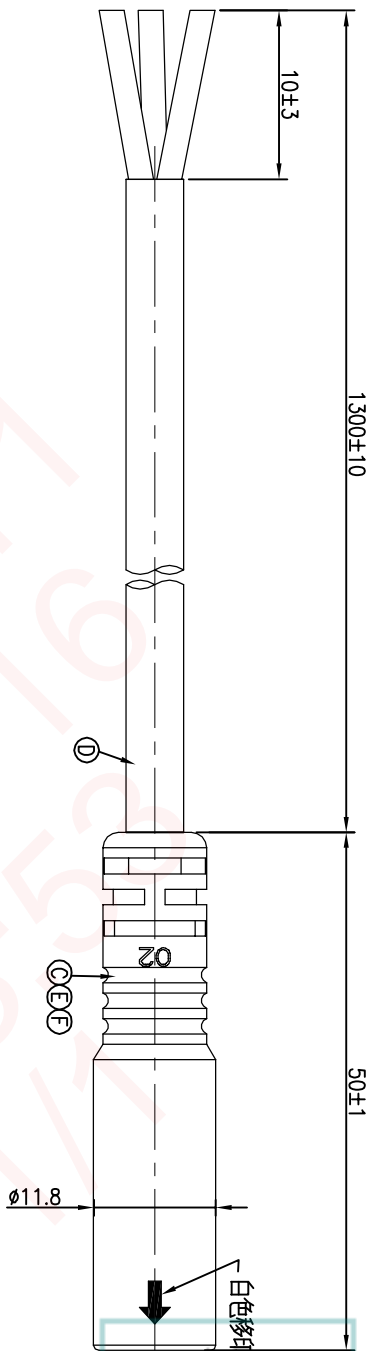


REV.	ECN NO.	OR DESCRIPTION	REVISED	DATE
A	PDR NO.:S151026-6A	Vicky	2015.10.19	
B	ECN NO.:S151212-C	Vicky	2016.03.16	
C	ECN NO.: S160801-R	Horlen	2016.08.01	

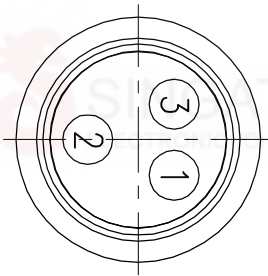


A VIEW

3	YELLOW
2	BLUE
1	GREEN
CONN.	WIRE COLOR

PIN OUT

CONN.



Pin Assignments
Front View

- NOTES:
- ELECTRICAL CHARACTERISTICS:
 - 1-1 CURRENT RATING: 10 AMPS.
 - 1-2 CONTACT RESISTANCE: 3 Ohm Max.
 - 1-3 INSULATION RESISTANCE: 30 MOhm Min. at 500VDC.
 - 1-4 BREAKDOWN VOLTAGE: 800 VAC PER MINUTE.
 - ENVIRONMENTAL:
 - 2-1 OPERATING TEMPERATURE: -20°C TO +80°C.
 - 2-2 SEALING REQUIREMENTS: IP65.
 - SPECIFICATIONS: SEE "E-BIKE SERIES SPECIFICATIONS".
 - FOR TECHNICAL DATA REFER TO YOUR LOCAL SINGATRON ELECTRONICS SALES OFFICE.
 - ALL DIMENSIONS ARE NOMINAL FOR REFERENCE ONLY UNLESS OTHERWISE STATED.
 - TO CONFORM TO SINGATRON HAZARDOUS SUBSTANCE FREE SPEC.
 - GREEN PRODUCT IDENTIFICATION LABEL ON PACKAGING:

F	SHRINK TUBE	3	Ø1.5	300V	BLACK
E	INNER MOLD	1	PVC		BLACK
D	CABLE	1	16#*3C	OD5.6	BLACK(PVC JACKET)
C	OVER MOLD	1	HYTREL		BLACK
B	FEMALE PIN	3	COPPER ALLOY		1~3u" GOLD PLATING OVER NICKEL PLATING
A	BODY	1	PA66+GF		BLACK
NO	DESCRIPTION	QTY	MATERIAL		PLATING & COLOR
UNLESS OTHERWISE SPECIFIED TOLERANCES					
Singatron Enterprise Co., Ltd. 信管企業股份有限公司					
TITLE: E-BIKE SERIES 180° 3 PIN FEMALE CONN.					
DWN	Vicky	PART NO. 2EB3004-W0343BH			
CHKD	Horlen	SCALE 2:1	UNIT: mm		
APVD	Steve	SIZE: A3	SHEET: 1 OF 1	REV: C	

CUSTOMER COPY