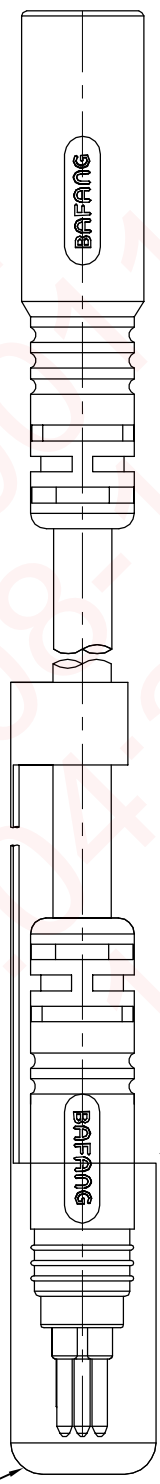
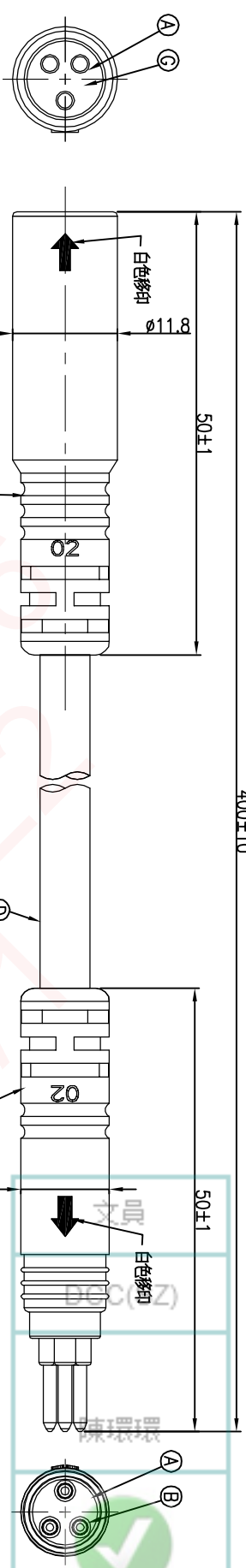
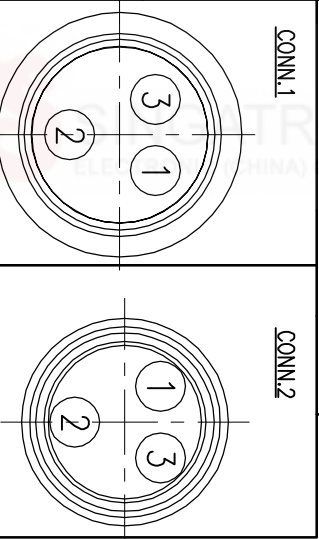


REV.	ECN NO.	OR DESCRIPTION	REVISED	DATE
A	PDR NO.:	S160108-9A	Vicky	2016.01.07
B	ECN NO.:	S160801-R	Harlen	2016.08.01



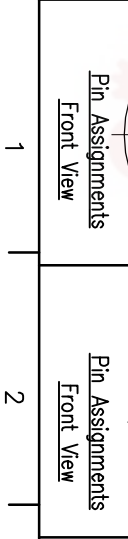
Wire Color	CONN.1	CONN.2
YELLOW	3	3
BLUE	2	2
GREEN	1	1

PIN OUT



NOTES:

1. WATERPROOF RATE: IP65
2. CURRENT RATING: 10A
3. CONTACT RESISTANCE: 3 Ohm Max.
4. HI-POT TEST 800V AC, 5mA(1SEC)
5. INSULATION RESISTANCE: 30Mohm MIN. BY 500V DC
6. SPECIFICATIONS: SEE "E-BIKE SERIES SPECIFICATIONS."
7. TO CONFORM TO THE SINGATRON HAZARDOUS SUBSTANCE FREE SPEC.
8. GREEN PRODUCT IDENTIFICATION LABEL ON PACKAGING:



NO	DESCRIPTION	QTY	MATERIAL	PLATING & COLOR
I	OVER MOLD	1	TPU	BLACK
H	INNER MOLD	1	ABS	NATURAL
G	FEMALE PIN	3	Phosphor Bronze	1~3u" GOLD PLATING OVER NICKEL PLATING
F	CAP	1	PA66	NATURAL
E	INNER MOLD	2	PVC	BLACK
D	CABLE	1	16#*3C Ø5.6	BLACK(PVC JACKET)
C	OVER MOLD	1	HYTREL	BLACK
B	MALE PIN	3	BRASS	1~3u" GOLD PLATING OVER NICKEL PLATING
A	BODY	2	PA66+GF	BLACK

UNLESS OTHERWISE SPECIFIED TOLERANCES

DECIMALS:	ANGLES:
X :±0.5	X :±2°
X.X :±0.3	X.X :±1°
X.XX :±0.2	

TITLE: E-BIKE SERIES 180° 3 PIN CONN.

Singatron Enterprise Co., Ltd.
信管企業股份有限公司

CHKD: Harlen
APVD: Steve

PART NO. ZEB3004-W03439H
SCALE 2:1 UNIT: mm
SIZE: A3 SHEET: 1 OF 1 REV: B

CUSTOMER COPY