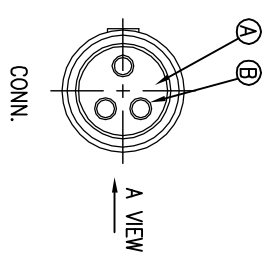
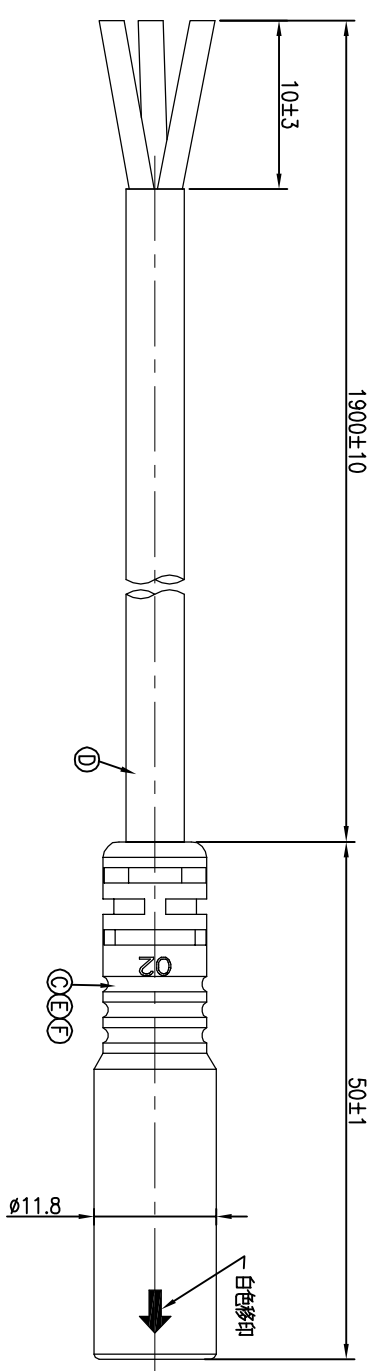
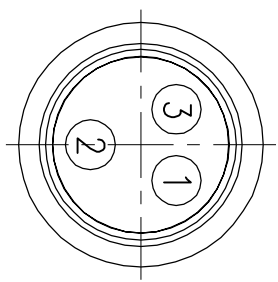


REV.	ECN NO.	OR DESCRIPTION	REVISED	DATE
A	PDR NO:S161027-10A	Vicky	2016.10.28	



A VIEW

3	YELLOW
2	BLUE
1	GREEN
CONN. WIRE COLOR	
PIN OUT	
CONN.	



- NOTES:
1. WATERPROOF RATE: IP65
  2. CURRENT RATING: 10A
  3. CONTACT RESISTANCE: 3 Ohm Max.
  4. HI-POT TEST 800V AC, 5mA(1SEC)
  5. INSULATION RESISTANCE: 30Mohm MIN. BY 500V DC
  6. SPECIFICATIONS:SEE "E-BIKE SERIES SPECIFICATIONS"
  7. TO CONFORM TO THE SINGATRON HAZARDOUS SUBSTANCE FREE SPEC.
  8. GREEN PRODUCT IDENTIFICATION LABEL ON PACKAGING:

NO	DESCRIPTION	QTY	MATERIAL	PLATING & COLOR
E	INNER MOLD	1	PVC	BLACK
D	CABLE	1	16#*3C+24#*3C OD5.6	BLACK(PVC JACKET)
C	OVER MOLD	1	HYTREL	BLACK
B	FEMALE PIN	3	Phosphor Bronze	1~3u" GOLD PLATING OVER NICKEL PLATING
A	BODY	1	PA66+GF	BLACK

UNLESS OTHERWISE SPECIFIED TOLERANCES

Singatron Enterprise Co., Ltd.  
信管企業股份有限公司

DECIMALS:	ANGLES:
X :±0.5	X :±2°
X.X :±0.3	X.X :±1°
X.XX :±0.2	

TITLE E-BIKE SERIES 180° 3 PIN FEMALE CONN.  
DWG Vicky PART NO.2BB3004-W03445H  
CHKD Harden SCALE 2:1 UNIT: mm  
APVD Steve SIZE: A3 SHEET:1 OF 1 REV: A

CUSTOMER COPY