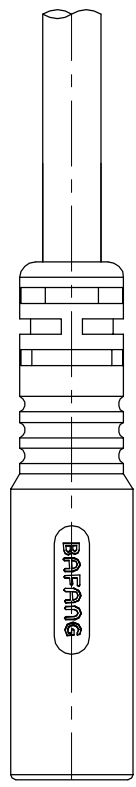
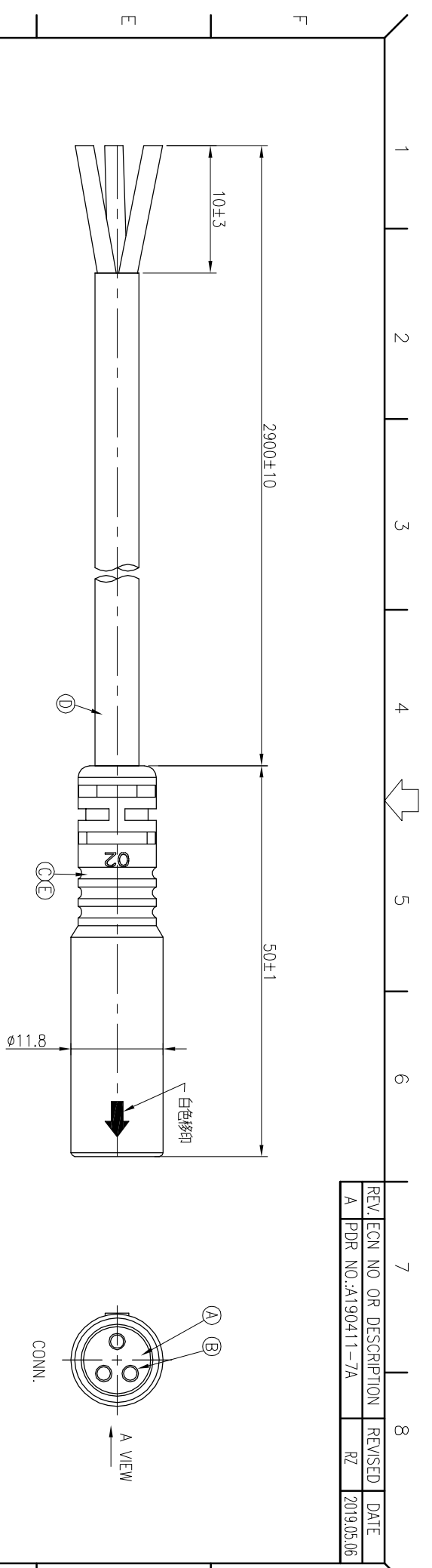


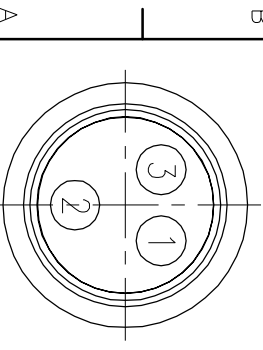
REV: A	ECN NO: A190411-7A	DESCRIPTION: RZ	REVISION: RZ	DATE: 2019.05.06
--------	--------------------	-----------------	--------------	------------------



A VIEW

3	YELLOW
2	BLUE
1	GREEN
CONN.	WIRE COLOR

PIN OUT



Pin Assignments
Front View

- NOTES:
- ELECTRICAL CHARACTERISTICS:
 - 1-1 CURRENT RATING: 10 AMPS.
 - 1-2 CONTACT RESISTANCE: 3 Ohm Max.
 - 1-3 INSULATION RESISTANCE: 100 MOhm Min. at 500VDC.
 - 1-4 BREAKDOWN VOLTAGE: 800 VAC PER MINUTE.
 - ENVIRONMENTAL:
 - 2-1 OPERATING TEMPERATURE: -20°C TO +80°C.
 - 2-2 SEALING REQUIREMENTS: IP65.
 - LIFE TEST: 1,000 CYCLES MIN.
 - SPECIFICATIONS: SEE "E-BIKE SERIES SPECIFICATIONS".
 - FOR TECHNICAL DATA REFER TO YOUR LOCAL SINGATRON ELECTRONICS SALES OFFICE.
 - ALL DIMENSIONS ARE NOMINAL FOR REFERENCE ONLY UNLESS OTHERWISE STATED.
 - TO CONFORM TO SINGATRON HAZARDOUS SUBSTANCE FREE SPEC.
 - GREEN PRODUCT IDENTIFICATION LABEL ON PACKAGING: **GREEN**.

E	INNER MOLD	1	PVC	BLACK
D	CABLE	1	3*1.5 OD:5:6	BLACK(PVC JACKET)
C	OVER MOLD	1	HYREL	BLACK
B	FEMALE PIN	3	COPPER ALLOY	1~3μ" GOLD PLATING OVER NICKEL PLATING
A	BODY	1	PA66+GF	BLACK
NO	DESCRIPTION	QTY	MATERIAL	PLATING & COLOR

UNLESS OTHERWISE SPECIFIED TOLERANCES

Singatron Enterprise Co., Ltd.
信譽企業股份有限公司

DECIMALS:	ANGLES:	TITLE	E-BIKE SERIES 180° 3 PIN FEMALE CONN.		
X : ±0.5	X : ±2°	DMN	RZ	PART NO. 2EB3004-W03452H	
XX : ±0.3	XX : ±1°	CHKD	Cerry	SCALE 2:1	UNIT: mm
XXX : ±0.2		APVD	William	SIZE: A3	SHEET: 1 OF 1

CUSTOMER COPY