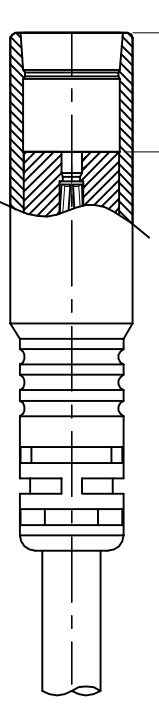
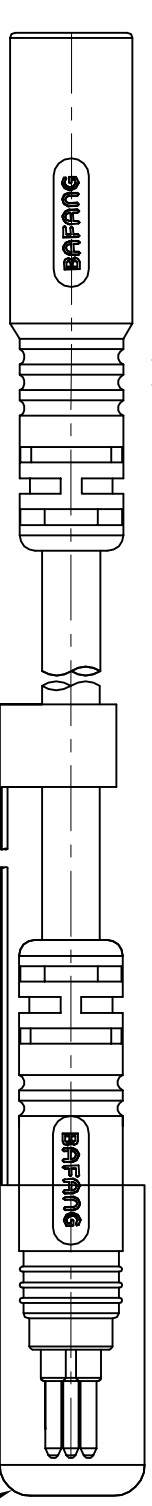
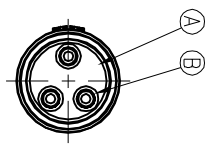
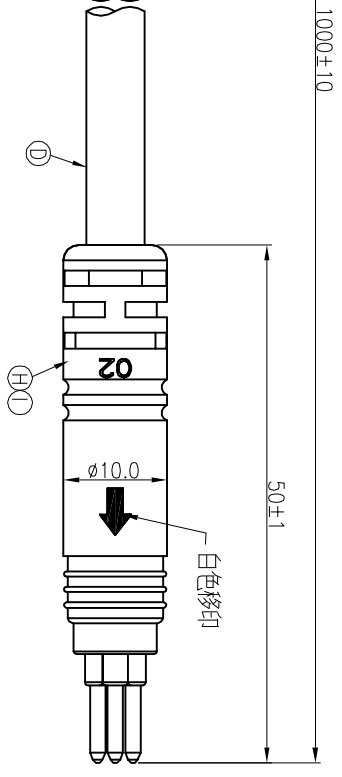
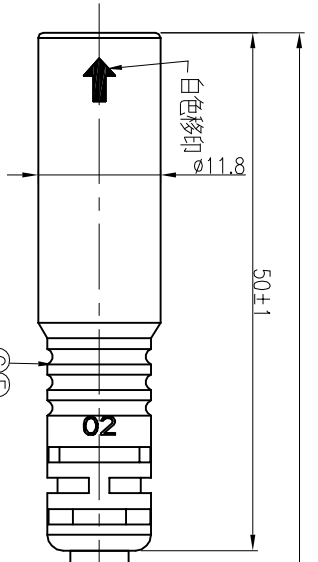
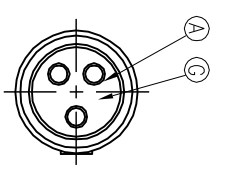
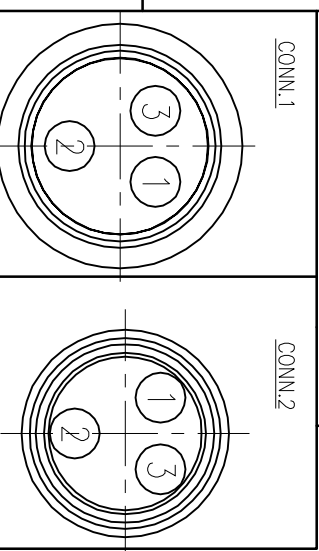


REV	ECN NO	OR DESCRIPTION	REVISED	DATE
A	PDR	NO.:A210331-4A	LEI	2021.11.06



CONN.1	CONN.2
3	3
2	2
1	1
WIRE COLOR	CONN.2
PIN OUT	



NOTES:

1. WATERPROOF RATE: IP65
2. CURRENT RATING: 10A
3. CONTACT RESISTANCE: 3 Ohm Max.
4. HI-POT TEST 800V AC, 5mA(1SEC)
5. INSULATION RESISTANCE: 30Mohm MIN. BY 500V DC
6. SPECIFICATIONS:SEE "E-BIKE SERIES SPECIFICATIONS."
7. TO CONFORM TO THE SINGATRON HAZARDOUS SUBSTANCE FREE SPEC.
8. GREEN PRODUCT IDENTIFICATION LABEL ON PACKAGING:

I	OVER MOLD	1	TPU	BLACK
H	INNER MOLD	1	ABS	NATURAL
G	FEMALE PIN	3	Phosphor Bronze	1~3u" GOLD PLATING OVER NICKEL PLATING
F	CAP	1	PA66	NATURAL
E	INNER MOLD	1	PVC	BLACK
D	CABLE	1	16#*3C 0.5,6	BLACK(PVC JACKET)
C	OVER MOLD	1	TPU	BLACK
B	MALE PIN	3	BRASS	1~3u" GOLD PLATING OVER NICKEL PLATING
A	BODY	2	PA66+GF	BLACK
NO	DESCRIPTION	QTY	MATERIAL	PLATING & COLOR
UNLESS OTHERWISE SPECIFIED TOLERANCES				
Suzhou Singatron Auto Electronics CO.,LTD. 苏州信音汽车电子有限公司				
TITLE E-BIKE SERIES 180° 3 PIN CONN.				
DWN	LEI	PART NO.2EB3004-W03453H		
CHKD	JF	SCALE 2:1	UNIT: mm	
APVD	JF	SIZE: A3	SHEET: 1 OF 1	REV: A

CUSTOMER COPY