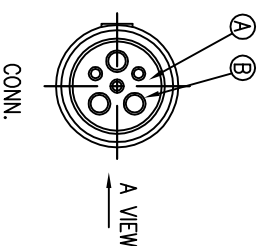
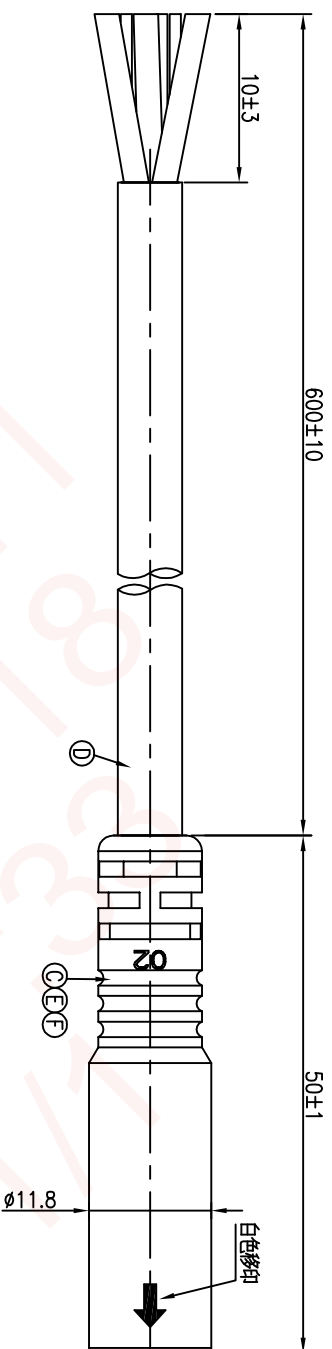
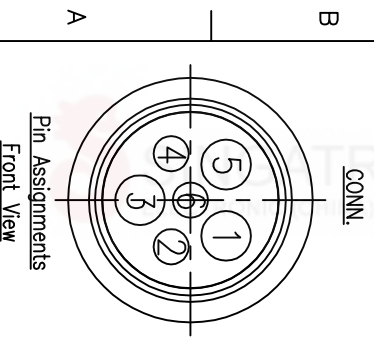


REV.	ECN NO.	OR DESCRIPTION	REVISED	DATE
A	PDR NO:S120704-8V	Harlen	2012.12.21	
B	ECN NO:S140336	Harlen	2014.3.25	
C	ECN NO.:S151212-C	Vicky	2016.03.16	
D	ECN NO.:S160801	Yang	2016.08.01	



CONN.	WIRE COLOR
1	GREEN
2	RED
3	BLUE
4	WHITE
5	YELLOW
6	BLACK



- NOTES:
1. WATERPROOF RATE: IP65
  2. CURRENT RATING: 10A+2A
  3. CONTACT RESISTANCE: 3 Ohm Max.
  4. HI-POT TEST 800V AC, 5mA(1SEC)
  5. INSULATION RESISTANCE: 30Mohm MIN. BY 500V DC
  6. SPECIFICATIONS:SEE "E-BIKE SERIES SPECIFICATIONS"
  7. TO CONFORM TO THE SINGATRON HAZARDOUS SUBSTANCE FREE SPEC.
  8. GREEN PRODUCT IDENTIFICATION LABEL ON PACKAGING: RoHS PASS

A VIEW

NO	DESCRIPTION	QTY	MATERIAL	PLATING & COLOR
F	SHRINK TUBE	3	φ1.5mm 300V	BLACK
E	INNER MOLD	1	PVC	NATURAL
D	CABLE	1	16#*3C+24#*3C OD6.2	BLACK(PVC JACKET)
C	OVER MOLD	1	HYTREL	BLACK
B	FEMALE PIN	6	Phosphor Bronze	1~3u" GOLD PLATING OVER NICKEL PLATING
A	BODY	1	PA66+GF	BLACK

UNLESS OTHERWISE SPECIFIED TOLERANCES

DECIMALS: ANGLES:

X :±0.5 X :±2

X.X :±0.3 X.X :±1

X.XX :±0.2

TITLE: E-BIKE SERIES 180° 6 PIN FEMALE CONN.

DWN: Yang PART NO. 2EB3004-W06913H

CHKD: JF SCALE 2:1 UNIT: mm

APVD: Harlen SIZE: A3 SHEET: 1 OF 1 REV: D

**CUSTOMER COPY**