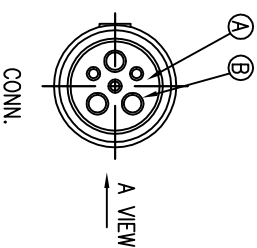
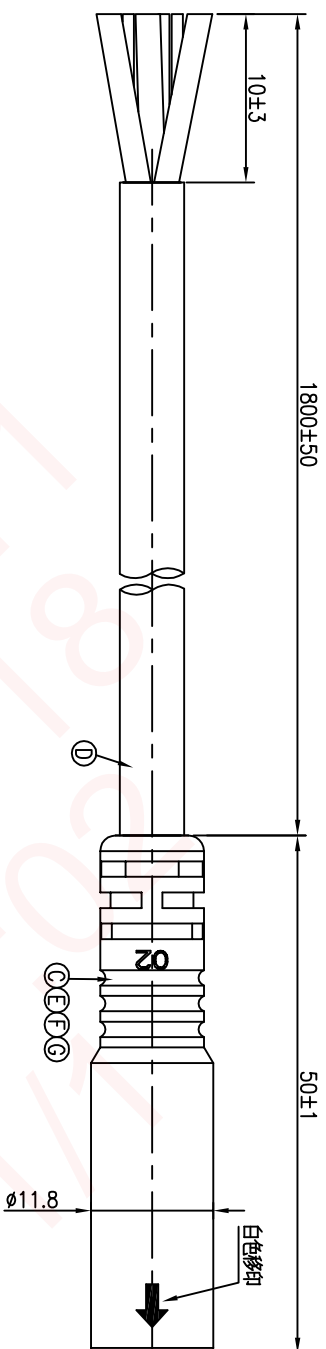
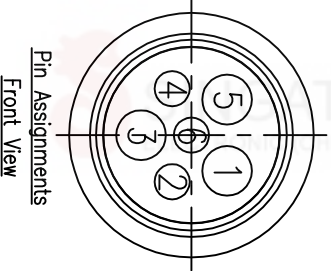


REV.	ECN NO.	OR DESCRIPTION	REVISED	DATE
A	PDR NO:S130103-6A		Harlen	2013.1.21
B	ECN NO:S140336		Harlen	2014.3.25
C	ECN NO.:S151212-C		Vicky	2016.03.16
D	ECN NO.:S160801-R		Yang	2016.08.01



6	BLACK
5	GREEN
4	RED
3	BLUE
2	WHITE
1	YELLOW
CONN.	WIRE COLOR
	PIN OUT
CONN.	



- NOTES:
1. WATERPROOF RATE: IP65
  2. CURRENT RATING: 10A+2A
  3. CONTACT RESISTANCE: 3 Ohm Max.
  4. HI-POT TEST 800V AC, 5mA(1SEC)
  5. INSULATION RESISTANCE: 30Mohm MIN. BY 500V DC
  6. SPECIFICATIONS:SEE "E-BIKE SERIES SPECIFICATIONS"
  7. TO CONFORM TO THE SINGATRON HAZARDOUS SUBSTANCE FREE SPEC.
  8. GREEN PRODUCT IDENTIFICATION LABEL ON PACKAGING:

A VIEW

F	SHRINK TUBE	3	1.5mm 300V	BLACK
E	INNER MOLD	1	PVC	NATURAL
D	CABLE	1	16#*3C+24#*3C OD6.2	BLACK(PVC JACKET)
C	OVER MOLD	1	HYTREL	BLACK
B	FEMALE PIN	6	Phosphor Bronze	1~3u" GOLD PLATING OVER NICKEL PLATING
A	BODY	1	PA66+GF	BLACK
NO	DESCRIPTION	QTY	MATERIAL	PLATING & COLOR
UNLESS OTHERWISE SPECIFIED TOLERANCES				
Singatron Enterprise Co., Ltd. 信管企業股份有限公司				
TITLE: E-BIKE SERIES 180° 6 PIN FEMALE CONN.				
DWN	Yang	PART NO.2EB3004-W06914H		
CHKD	JF	SCALE 2:1 UNIT: mm		
APVD	Harlen	SIZE: A3 SHEET: 1 OF 1	REV: D	

CUSTOMER COPY