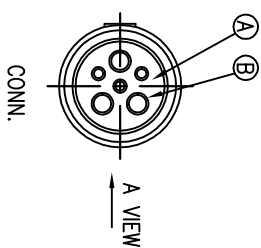
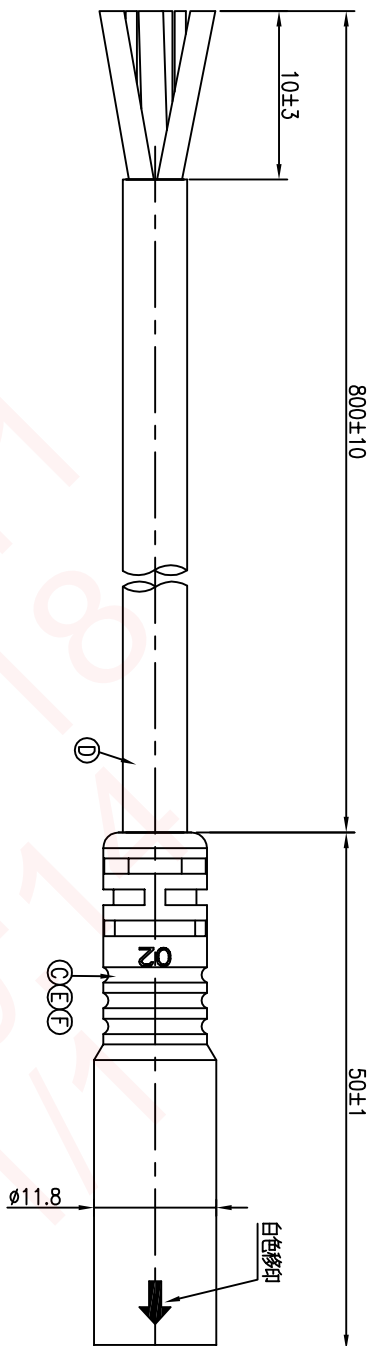
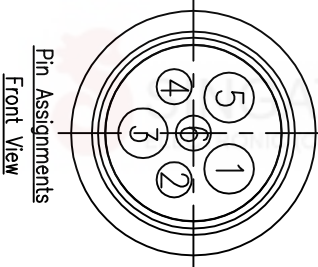


REV.	ECN NO.	OR DESCRIPTION	REVISED	DATE
A	PDR NO.:S141022-7B		Vicky	2014.12.22
B	ECN NO.:S151212-C		Vicky	2016.03.16
C	ECN NO.:S160801-R		Yang	2016.08.01



6	BLACK
5	YELLOW
4	WHITE
3	BLUE
2	RED
1	GREEN
CONN. WIRE COLOR	
PIN OUT	
CONN.	



A VIEW

- NOTES:
1. WATERPROOF RATE: IP65
 2. CURRENT RATING: 10A+2A
 3. CONTACT RESISTANCE: 3 Ohm Max.
 4. HI-POT TEST 800V AC, 5mA(1SEC)
 5. INSULATION RESISTANCE: 30Mohm MIN. BY 500V DC
 6. SPECIFICATIONS:SEE "E-BIKE SERIES SPECIFICATIONS"
 7. TO CONFORM TO THE SINGATRON HAZARDOUS SUBSTANCE FREE SPEC.
 8. GREEN PRODUCT IDENTIFICATION LABEL ON PACKAGING: RoHS PASS

F	SHRINK TUBE	3	ø1.5mm 300V	BLACK
E	INNER MOLD	1	PVC	BLACK
D	CABLE	1	16#*3C+24#*3C OD6.2	BLACK(PVC JACKET)
C	OVER MOLD	1	HYTREL	BLACK
B	FEMALE PIN	6	Phosphor Bronze	1~3u" GOLD PLATING OVER NICKEL PLATING
A	BODY	1	PA66+30%GF	BLACK
NO DESCRIPTION		MATERIAL		PLATING & COLOR
UNLESS OTHERWISE SPECIFIED TOLERANCES				
Singatron Enterprise Co., Ltd. 信譽企業股份有限公司				
TITLE E-BIKE SERIES 180° 6 PIN FEMALE CONN.				
DWN	Yang	PART NO.2EB3004-W06928H		
CHKD	JF	SCALE 2:1 UNIT: mm		
APVD	Harlen	SIZE: A3 SHEET:1 OF 1 REV: C		

DECIMALS:	ANGLES:
X :±0.5	X :±2°
X.X :±0.3	X.X :±1°
X.XX :±0.2	

CUSTOMER COPY