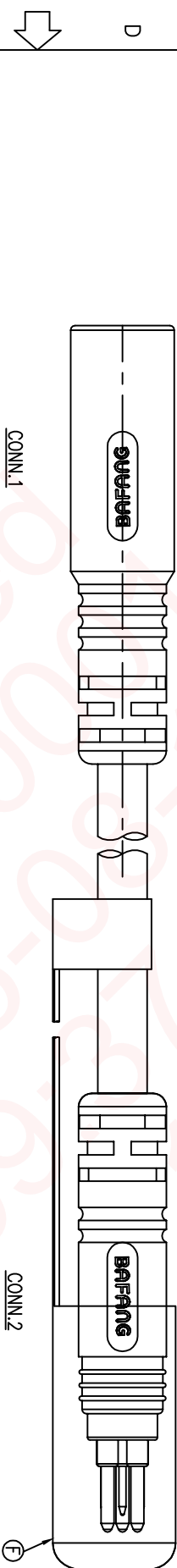
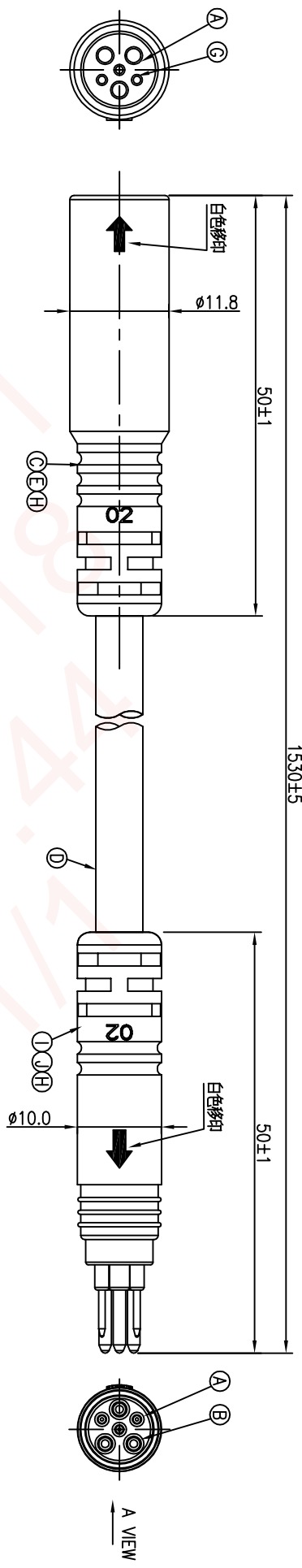


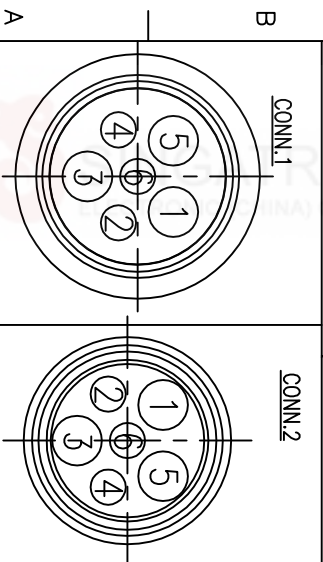
REV.	ECN NO.	OR DESCRIPTION	REVISED	DATE
A	PDR NO.:S141219-6A		Ycky	2015.01.20
B	ECN NO.: S151212-C		Ycky	2016.03.16
C	ECN NO.:S160801-R		Yang	2016.08.01



6	BLACK	6
5 <td>YELLOW <td>5</td> </td>	YELLOW <td>5</td>	5
4 <td>WHITE <td>4</td> </td>	WHITE <td>4</td>	4
3 <td>BLUE <td>3</td> </td>	BLUE <td>3</td>	3
2 <td>RED <td>2</td> </td>	RED <td>2</td>	2
1 <td>GREEN <td>1</td> </td>	GREEN <td>1</td>	1

CONN.1 WIRE COLOR    CONN.2

PIN OUT



- NOTES:
1. WATERPROOF RATE: IP65
  2. CURRENT RATING: 10A+2A
  3. CONTACT RESISTANCE: 3 Ohm Max
  4. HI-POT TEST 800V AC, 5mA(1SEC)
  5. INSULATION RESISTANCE: 30Mohm MIN. BY 500V DC
  6. SPECIFICATIONS:SEE "E-BIKE SERIES SPECIFICATIONS."
  7. TO CONFORM TO THE SINGATRON HAZARDOUS SUBSTANCE FREE SPEC.
  8. GREEN PRODUCT IDENTIFICATION LABEL ON PACKAGING:

J	INNER MOLD	1	ABS	NATURAL
I	OVER MOLD	1	TPU	BLACK
H	SHRINK TUBE	6	Ø1.5mm 300V	BLACK
G	FEMALE PIN	6	Phosphor Bronze	1~3u" GOLD PLATING OVER NICKEL PLATING
F	CAP	1	PA66	NATURAL
E	INNER MOLD	1	PVC	BLACK
D	CABLE	1	16#*3C+24#*3C Ø6.2	BLACK(PVC JACKET)
C	OVER MOLD	1	HYTREL	BLACK
B	MALE PIN	6	BRASS	1~3u" GOLD PLATING OVER NICKEL PLATING
A	BODY	2	PA66+GF	BLACK

UNLESS OTHERWISE SPECIFIED TOLERANCES

Singatron Enterprise Co., Ltd.  
信譽企業股份有限公司

TITLE E-BIKE SERIES 180° 6 PIN CONN.

DECIMALS:	ANGLES:
X :±0.5	X :±2
X.X :±0.3	X.X :±1
X.XX :±0.2	

CUSTOMER COPY