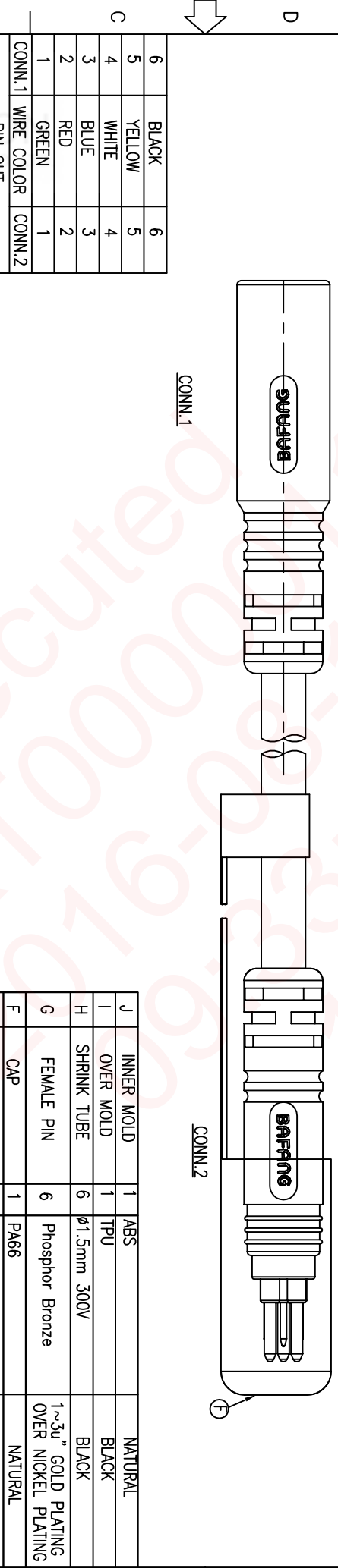
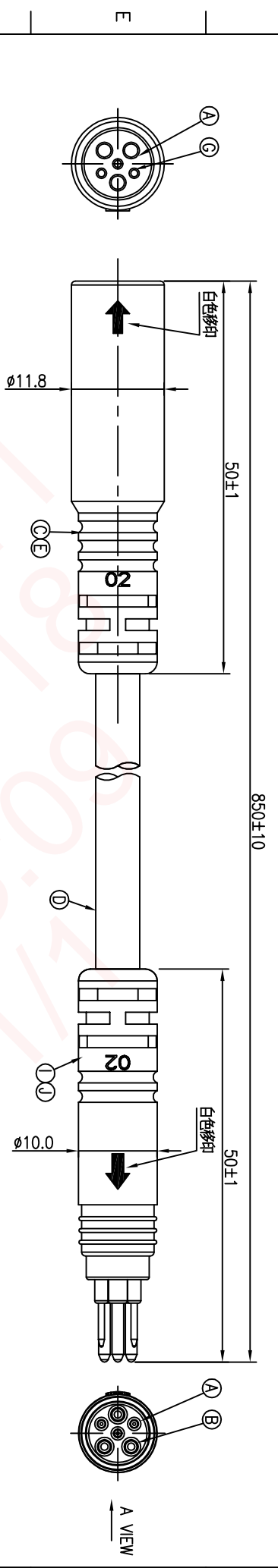


REV.	ECN NO.	OR DESCRIPTION	REVISED	DATE
A	PDR NO.:S150625-2A		Ycky	2015.06.18
B	ECN NO.: S151212-C		Ycky	2016.03.16
C	ECN NO.:S160801-R		Yang	2016.08.01

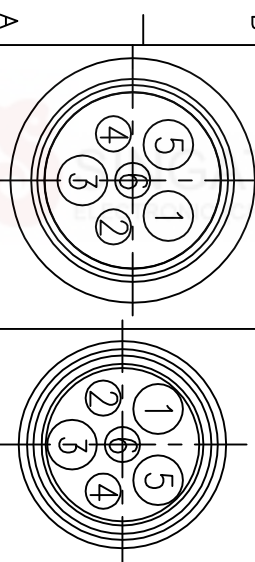


CONN.1	WIRE COLOR	CONN.2
1	GREEN	1
2	RED	2
3	BLUE	3
4	WHITE	4
5	YELLOW	5
6	BLACK	6

PIN OUT

CONN.1

CONN.2



Pin Assignments
Front View

Pin Assignments
Front View

NOTES:

1. WATERPROOF RATE: IP65
2. CURRENT RATING: 10A+2A
3. CONTACT RESISTANCE: 3 Ohm Max
4. HI-POT TEST 800V AC, 5mA(1SEC)
5. INSULATION RESISTANCE: 30Mohm MIN. BY 500V DC
6. SPECIFICATIONS:SEE "E-BIKE SERIES SPECIFICATIONS."
7. TO CONFORM TO THE SINGATRON HAZARDOUS SUBSTANCE FREE SPEC.
8. GREEN PRODUCT IDENTIFICATION LABEL ON PACKAGING:

1 2 3 4 5 6 7 8

J	INNER MOLD OVER MOLD	1	ABS	NATURAL
I	OVER MOLD	1	TPU	BLACK
H	SHRINK TUBE	6	Ø1.5mm 300V	BLACK
G	FEMALE PIN	6	Phosphor Bronze	1~3u" GOLD PLATING OVER NICKEL PLATING
F	CAP	1	PA66	NATURAL
E	INNER MOLD	1	PVC	BLACK
D	CABLE	1	16#*3C+24#*3C OD6.2	BLACK(PVC JACKET)
C	OVER MOLD	1	HYTREL	BLACK
B	MALE PIN	6	BRASS	1~3u" GOLD PLATING OVER NICKEL PLATING
A	BODY	2	PA66+GF	BLACK

UNLESS OTHERWISE SPECIFIED TOLERANCES

DECIMALS: ANGLES:

X :±0.5 X :±2
X.X :±0.3 X.X :±1
X.XX :±0.2

TITLE: E-BIKE SERIES 180° 6 PIN CONN.
Singatron Enterprise Co., Ltd.
信譽企業股份有限公司

DWN Yang PART NO.2EB3004-W06938H
CHKD JF SCALE 2:1 UNIT: mm
APVD Harlen SIZE: A3 SHEET: 1 OF 1 REV:C

CUSTOMER COPY