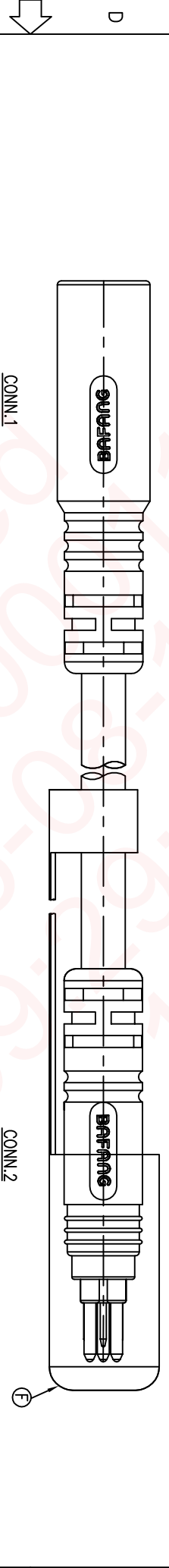
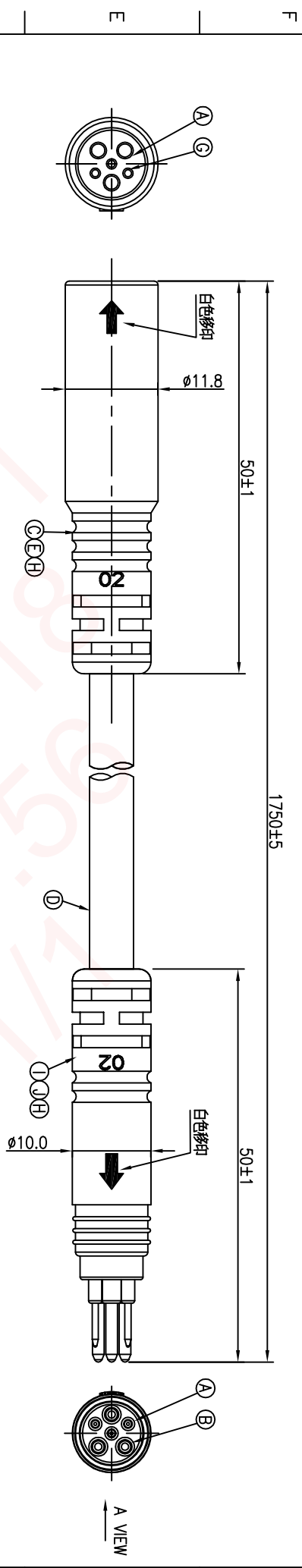
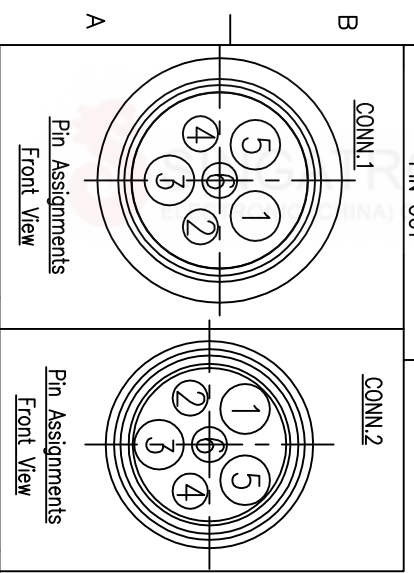


REV.	ECN NO	OR DESCRIPTION	REVISED	DATE
A	PDR NO.:S151230-6A		Yong	2015.12.22
B	ECN NO.:S160801-R		Yong	2016.08.01



CONN.1	WIRE COLOR	CONN.2
6	BLACK	6
5	YELLOW	5
4	WHITE	4
3	BLUE	3
2	RED	2
1	GREEN	1

PIN OUT



NOTES:

1. WATERPROOF RATE: IP65
2. CURRENT RATING: 10A+2A
3. CONTACT RESISTANCE: 3 Ohm Max
4. HI-POT TEST 800V AC, 5mA(1SEC)
5. INSULATION RESISTANCE: 30Mohm MIN. BY 500V DC
6. SPECIFICATIONS:SEE "E-BIKE SERIES SPECIFICATIONS."
7. TO CONFORM TO THE SINGATRON HAZARDOUS SUBSTANCE FREE SPEC.
8. GREEN PRODUCT IDENTIFICATION LABEL ON PACKAGING:

J	INNER MOLD	1	ABS	NATURAL
I	OVER MOLD	1	TPU	BLACK
H	SHRINK TUBE	6	Ø1.5mm 300V	BLACK
G	FEMALE PIN	6	Phosphor Bronze	1~3u" GOLD PLATING OVER NICKEL PLATING
F	CAP	1	PA66	NATURAL
E	INNER MOLD	1	PVC	BLACK
D	CABLE	1	16#*3C+24#*3C Ø6.2	BLACK(PVC JACKET)
C	OVER MOLD	1	HYTREL	BLACK
B	MALE PIN	6	BRASS	1~3u" GOLD PLATING OVER NICKEL PLATING
A	BODY	2	PA66+GF	BLACK

NO	DESCRIPTION	QTY	MATERIAL	PLATING & COLOR
UNLESS OTHERWISE SPECIFIED TOLERANCES				
TITLE E-BIKE SERIES 180° 6 PIN CONN.				
SINGATRON ENTERPRISE CO., LTD. 信晉企業股份有限公司				
TITLE E-BIKE SERIES 180° 6 PIN CONN.				
DWN	Yong	PART NO.2EB3004-W06944H		
CHKD	JF	SCALE 2:1	UNIT: mm	
APVD	Harlen	SIZE: A3	SHEET: 1 OF 1	REV: B

DECIMALS:	ANGLES:
X :±0.5	X :±2
X.X :±0.3	X.X :±1
X.XX :±0.2	

CUSTOMER COPY