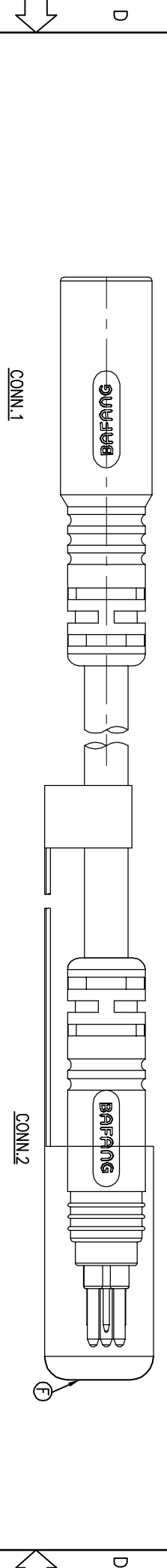
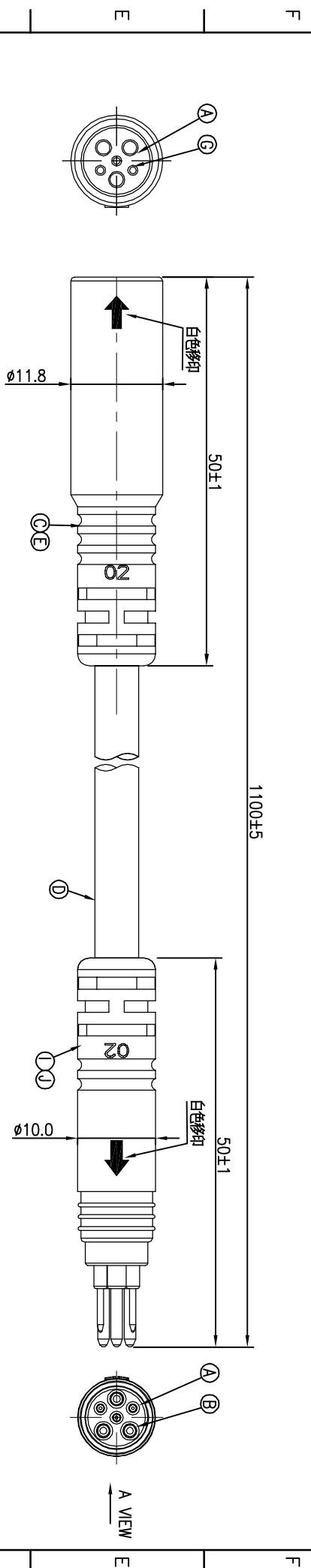
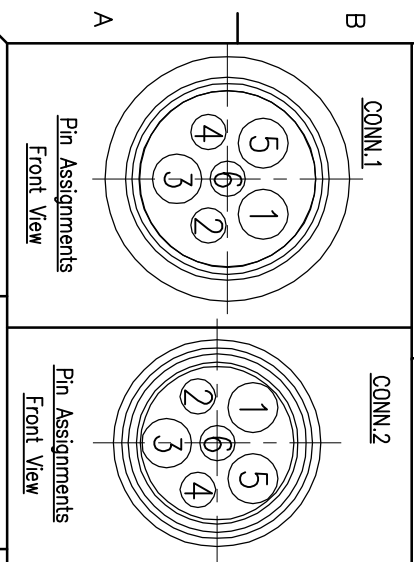


REV.	ECN NO.	OR DESCRIPTION	REVISED	DATE
A	PDR NO.:	SI60817-7A	Vicky	2016.08.17



6	BLACK	6
5	YELLOW	5
4	WHITE	4
3	BLUE	3
2	RED	2
1	GREEN	1
CONN.1 WIRE COLOR		CONN.2
PIN OUT		



- NOTES:
1. WATERPROOF RATE: IP65
 2. CURRENT RATING: 10A+2A
 3. CONTACT RESISTANCE: 3 Ohm Max.
 4. HI-POT TEST 800V AC, 5mA(1SEC)
 5. INSULATION RESISTANCE: 30Mohm MIN. BY 500V DC
 6. SPECIFICATIONS:SEE "E-BIKE SERIES SPECIFICATIONS."
 7. TO CONFORM TO THE SINGATRON HAZARDOUS SUBSTANCE FREE SPEC.
 8. GREEN PRODUCT IDENTIFICATION LABEL ON PACKAGING:

J	INNER MOLD	1	ABS	NATURAL
I	OVER MOLD	1	TPU	BLACK
H	SHRINK TUBE	6	φ1.5mm 300V	BLACK
G	FEMALE PIN	6	Phosphor Bronze	1~3u" GOLD PLATING OVER NICKEL PLATING
F	CAP	1	PA66	NATURAL
E	INNER MOLD	1	PVC	BLACK
D	CABLE	1	16#*3C+24#*3C OD6.2	BLACK(PVC JACKET)
C	OVER MOLD	1	HYREL	BLACK
B	MALE PIN	6	BRASS	1~3u" GOLD PLATING OVER NICKEL PLATING
A	BODY	2	PA66+GF	BLACK
NO	DESCRIPTION	QTY	MATERIAL	PLATING & COLOR

DECIMALS:	ANGLES:
X :±0.5	X :±2'
X.X :±0.3	X.X :±1'
X.XX :±0.2	

TITLE E-BIKE SERIES 180° 6 PIN CONN.
 Singatron Enterprise Co., Ltd.
 信言企业股份有限公司
 DWG Vicky PART NO. 2EB3004-W06950H
 CHKD Harlen SCALE 2:1 UNIT: mm
 APVD Steve SIZE: A3 SHEET: 1 OF 1 REV: A
CUSTOMER COPY