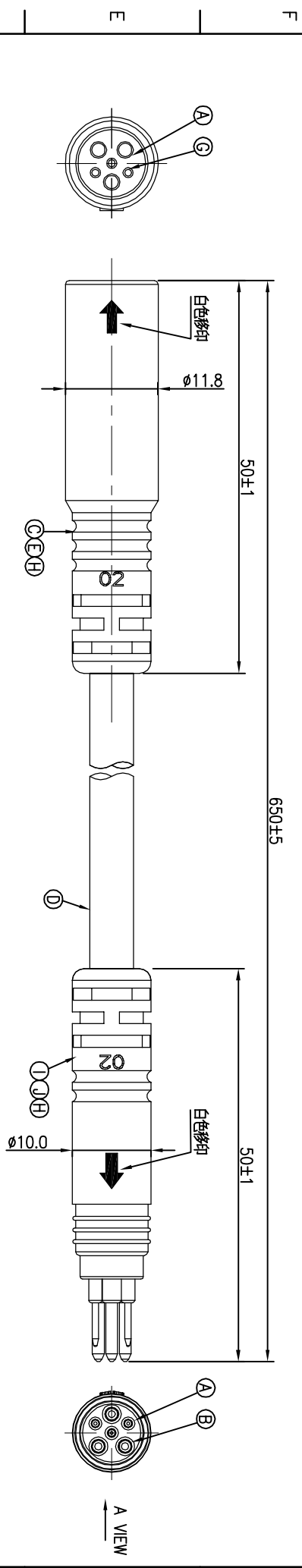
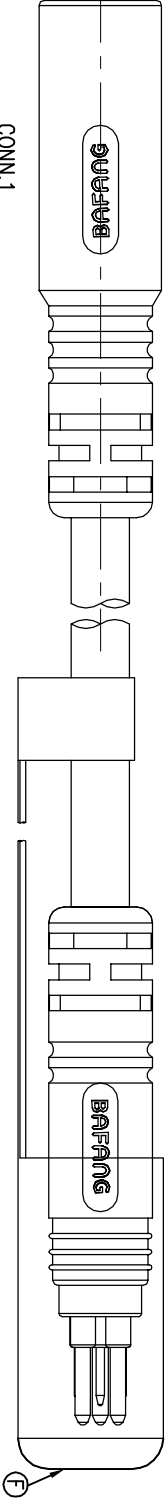


REV.	ECN NO	OR DESCRIPTION	REVISED	DATE
A	PDR NO.:S160909-3A	Vicky	2016.09.09	

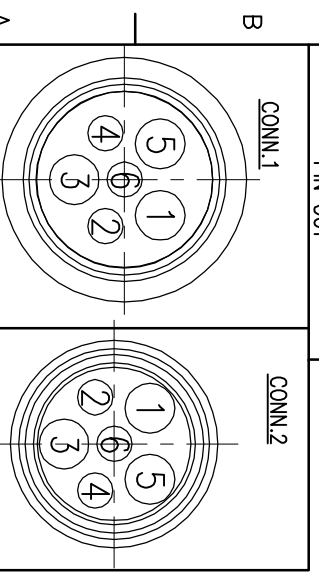


CONN.1	WIRE COLOR	CONN.2
6	BLACK	6
5	YELLOW	5
4	WHITE	4
3	BLUE	3
2	RED	2
1	GREEN	1

PIN OUT



CONN.2



- NOTES:
1. WATERPROOF RATE: IP65
 2. CURRENT RATING: 10A+2A
 3. CONTACT RESISTANCE: 3 Ohm Max.
 4. HI-POT TEST 800V AC, 5mA(1SEC)
 5. INSULATION RESISTANCE: 30Mohm MIN. BY 500V DC
 6. SPECIFICATIONS:SEE "E-BIKE SERIES SPECIFICATIONS."
 7. TO CONFORM TO THE SINGATRON HAZARDOUS SUBSTANCE FREE SPEC.
 8. GREEN PRODUCT IDENTIFICATION LABEL ON PACKAGING:

J	INNER MOLD	1	ABS	NATURAL
I	OVER MOLD	1	TPU	BLACK
H	SHRINK TUBE	6	Ø1.5mm 300V	BLACK
G	FEMALE PIN	6	Phosphor Bronze	1~3µ" GOLD PLATING OVER NICKEL PLATING
F	CAP	1	PA66	NATURAL
E	INNER MOLD	1	PVC	BLACK
D	CABLE	1	16#*3C+24#*3C Ø6.2	BLACK(PVC JACKET)
C	OVER MOLD	1	HYTREL	BLACK
B	MALE PIN	6	BRASS	1~3µ" GOLD PLATING OVER NICKEL PLATING
A	BODY	2	PA66+GF	BLACK

UNLESS OTHERWISE SPECIFIED TOLERANCES	QTY	MATERIAL	PLATING & COLOR
A	2	PA66+GF	BLACK

DECIMALS:	ANGLES:
X :±0.5	X :±2°
X.X :±0.3	X.X :±1°
X.XX :±0.2	

TITLE	E-BIKE SERIES 180° 6 PIN CONN.
DWN	Vicky
CHKD	Harlen
APVD	Steve

Singatron Enterprise Co., Ltd.
 信晉企業股份有限公司
 CUSTOMER COPY