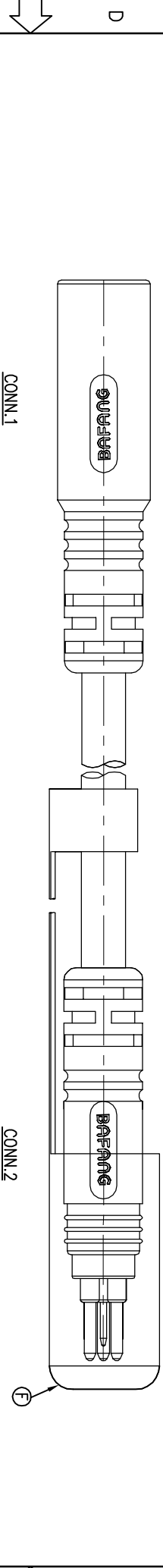
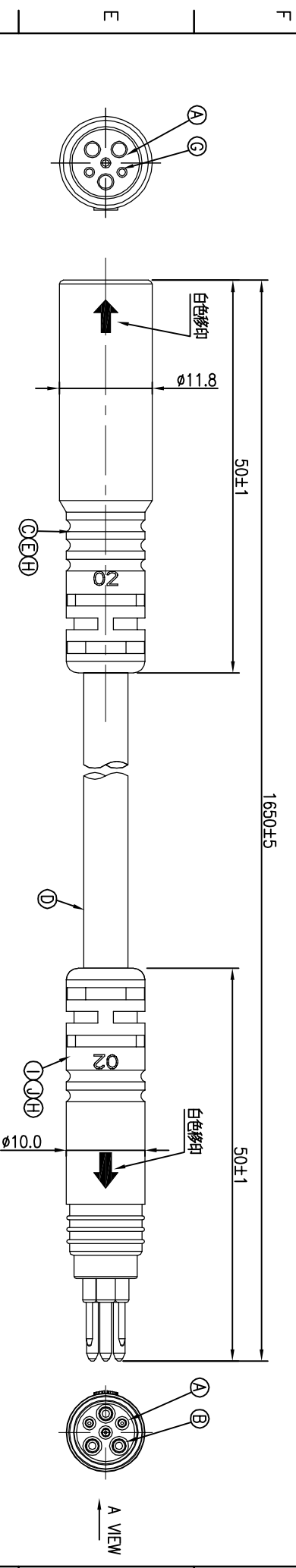


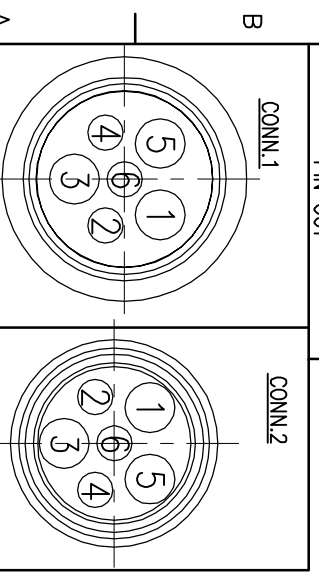
REV.	ECN NO.	OR DESCRIPTION	REVISED	DATE
A	PDR NO. S170213-1A		Vicky	2017.02.13



6	BLACK	6
5 <td>YELLOW</td> <td>5</td>	YELLOW	5
4 <td>WHITE</td> <td>4</td>	WHITE	4
3 <td>BLUE</td> <td>3</td>	BLUE	3
2 <td>RED</td> <td>2</td>	RED	2
1 <td>GREEN</td> <td>1</td>	GREEN	1

CONN.1	WIRE COLOR	CONN.2

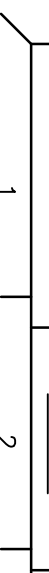
PIN OUT



Pin Assignments
Front View

NOTES:

1. WATERPROOF RATE: IP65
2. CURRENT RATING: 10A+2A
3. CONTACT RESISTANCE: 3 Ohm Max.
4. HI-POT TEST 800V AC, 5mA(1SEC)
5. INSULATION RESISTANCE: 30Mohm MIN. BY 500V DC
6. SPECIFICATIONS: SEE "E-BIKE SERIES SPECIFICATIONS."
7. TO CONFORM TO THE SINGATRON HAZARDOUS SUBSTANCE FREE SPEC.
8. GREEN PRODUCT IDENTIFICATION LABEL ON PACKAGING:



Pin Assignments
Front View

J	INNER MOLD	1	ABS	NATURAL
I	OVER MOLD	1	TPU	BLACK
H	SHRINK TUBE	6	Ø1.5mm 300V	BLACK
G	FEMALE PIN	6	Phosphor Bronze	1~3µ" GOLD PLATING OVER NICKEL PLATING
F	CAP	1	PA66	NATURAL
E	INNER MOLD	1	PVC	BLACK
D	CABLE	1	16#*3C+24#*3C Ø6.2	BLACK(PVC JACKET)
C	OVER MOLD	1	HYTREL	BLACK
B	MALE PIN	6	BRASS	1~3µ" GOLD PLATING OVER NICKEL PLATING
A	BODY	2	PA66+GF	BLACK

UNLESS OTHERWISE SPECIFIED TOLERANCES

DECIMALS: ANGLES:

X	:±0.5	X	:±2°
X.X	:±0.3	X.X	:±1°
X.XX	:±0.2		

TITLE	E-BIKE SERIES 180" 6 PIN CONN.	
DWN	Vicky	PART NO. 2EB3004-W06959H
CHKD	Horlen	SCALE 2:1 UNIT: mm
APVD	Steve	SIZE: A3 SHEET: 1 OF 1 REV: A

CUSTOMER COPY

Singatron Enterprise Co., Ltd.
信晉企業股份有限公司