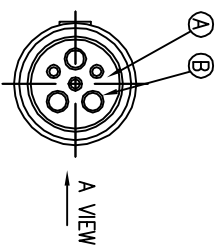
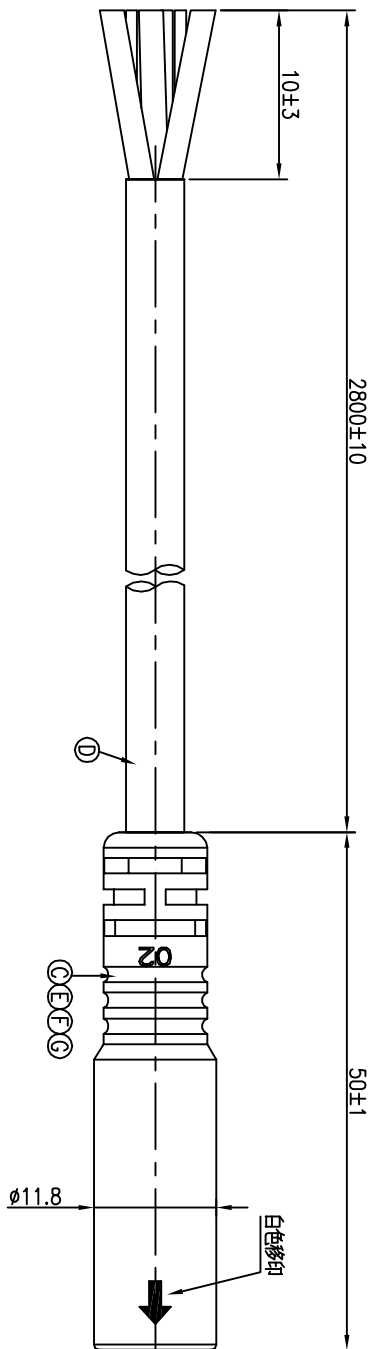



REV.	ECN NO OR DESCRIPTION	REVISED	DATE
A	PDR NO.:S170811-2A	Vicky	2017.08.13



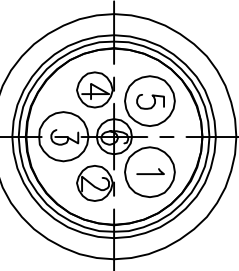
A VIEW

CONN.	WIRE COLOR
1	GREEN
2	RED
3	BLUE
4	WHITE
5	YELLOW
6	BLACK

CONN.

- NOTES:
- ELECTRICAL CHARACTERISTICS:
 - 1-1 CURRENT RATING: (10+2) AMPS.
 - 1-2 CONTACT RESISTANCE: 3 Ohm Max.
 - 1-3 INSULATION RESISTANCE: 30 MOhm Min. at 500VDC.
 - 1-4 BREAKDOWN VOLTAGE: 800 VAC PER MINUTE.
 - ENVIRONMENTAL:
 - 2-1 OPERATING TEMPERATURE: -20°C TO +80°C.
 - 2-2 SEALING REQUIREMENTS: IP65.
 - SPECIFICATIONS:SEE "E-BIKE SERIES SPECIFICATIONS".
 - FOR TECHNICAL DATA REFER TO YOUR LOCAL SINGATRON ELECTRONICS SALES OFFICE.
 - ALL DIMENSIONS ARE NOMINAL FOR REFERENCE ONLY UNLESS OTHERWISE STATED.
 - TO CONFORM TO SINGATRON HAZARDOUS SUBSTANCE FREE SPEC.
 - GREEN PRODUCT IDENTIFICATION LABEL ON PACKAGING:.

Pin Assignments
Front View



NO	DESCRIPTION	QTY	MATERIAL	PLATING & COLOR
A	BODY	1	PA66+30%GF	BLACK
B	FEMALE PIN	6	Phosphor Bronze	1~3u" GOLD PLATING OVER NICKEL PLATING
C	OVER MOLD	1	HYTREL	BLACK
D	CABLE	1	16#*3C+24#*3C OD5.6	BLACK(PVC JACKET)
E	INNER MOLD	1	PVC	BLACK
F	SHRINK TUBE	3	φ2.5mm 600V	BLACK
G	SHRINK TUBE	3	φ1.5mm 300V	BLACK

UNLESS OTHERWISE SPECIFIED TOLERANCES

DECIMALS:	ANGLES:
X :±0.5	X :±2°
X.X :±0.3	X.X :±1°
X.XX :±0.2	

TITLE E-BIKE SERIES 180° 6 PIN FEMALE CONN.
DWG Vicky PART NO.2EB3004-W06963H
CHKD Harlen SCALE 2:1 UNIT: mm
APVD Steve SIZE: A3 SHEET:1 OF 1 REV: A

Singatron Enterprise Co., Ltd.
信譽企業股份有限公司

CUSTOMER COPY