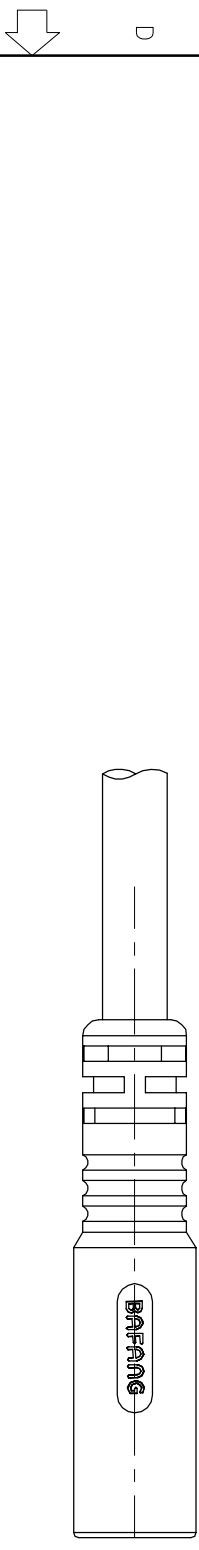
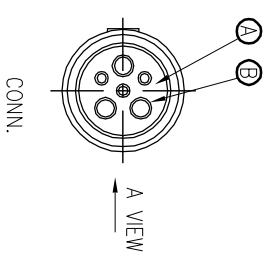
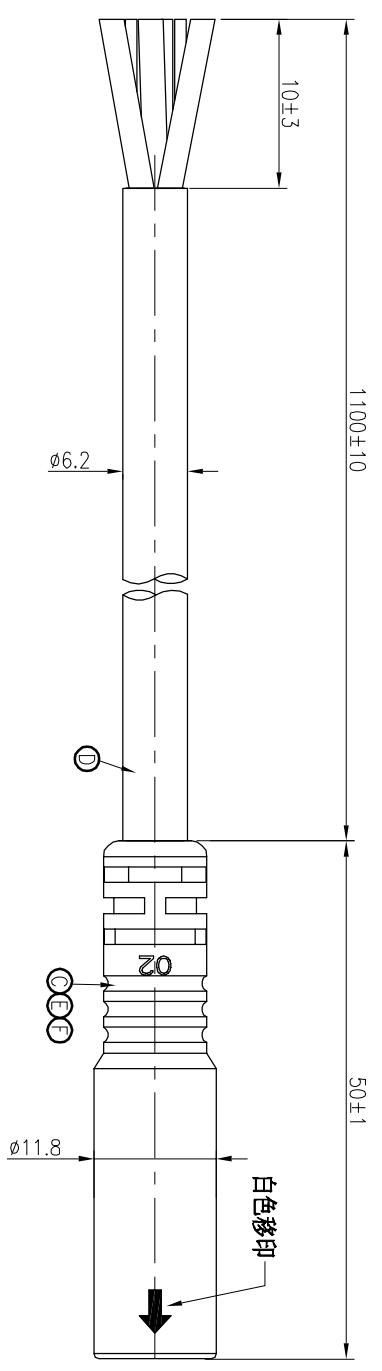
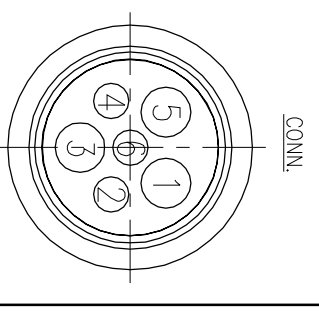


REV.	ECN NO.	OR DESCRIPTION	REVISED	DATE
A	PDR NO.:A181225-1B	Vicky	2018.12.27	



CONN.	WIRE COLOR
6	BLACK
5	YELLOW
4	WHITE
3	BLUE
2	RED
1	GREEN



- NOTES:
1. WATERPROOF RATE: IP65
 2. CURRENT RATING: 10A+2A
 3. CONTACT RESISTANCE: 3 Ohm Max.
 4. HI-POT TEST 800V AC, 5mA(1SEC)
 5. INSULATION RESISTANCE: 30Mohm MIN. BY 500V DC
 6. SPECIFICATIONS:SEE "E-BIKE SERIES SPECIFICATIONS".
 7. TO CONFORM TO THE SINGATRON HAZARDOUS SUBSTANCE FREE SPEC.
 8. GREEN PRODUCT IDENTIFICATION LABEL ON PACKAGING:

NO	DESCRIPTION	QTY	MATERIAL	PLATING & COLOR
F	SHRINK TUBE	3	∅1.5mm 300V	BLACK
E	INNER MOLD	1	PVC	NATURAL
D	CABLE	1	3C*1.5mm ² +3C*0.2mm ²	BLACK(PVC JACKET)
C	OVER MOLD	1	HYTREL	BLACK
B	FEMALE PIN	6	Phosphor Bronze	1~3u" GOLD PLATING OVER NICKEL PLATING
A	BODY	1	PA66+30%GF	BLACK

UNLESS OTHERWISE SPECIFIED TOLERANCES		ANGLES:	
DECIMALS:	ANGLES:	X :±0.5	X :±2°
X.X	:±0.3	X.X :±1°	
X.XX	:±0.2		

Singatron Enterprise Co., Ltd. 信譽企業股份有限公司	
TITLE	E-BIKE SERIES 180° 6 PIN FEMALE CONN.
DWN	Vicky
CHKD	JF
APVD	William
PART NO.	2EB3004-W06969H
SCALE	2:1
UNIT	mm
SIZE	A3
SHEET	1 OF 1
REV	A

CUSTOMER COPY