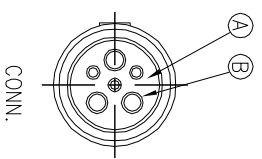
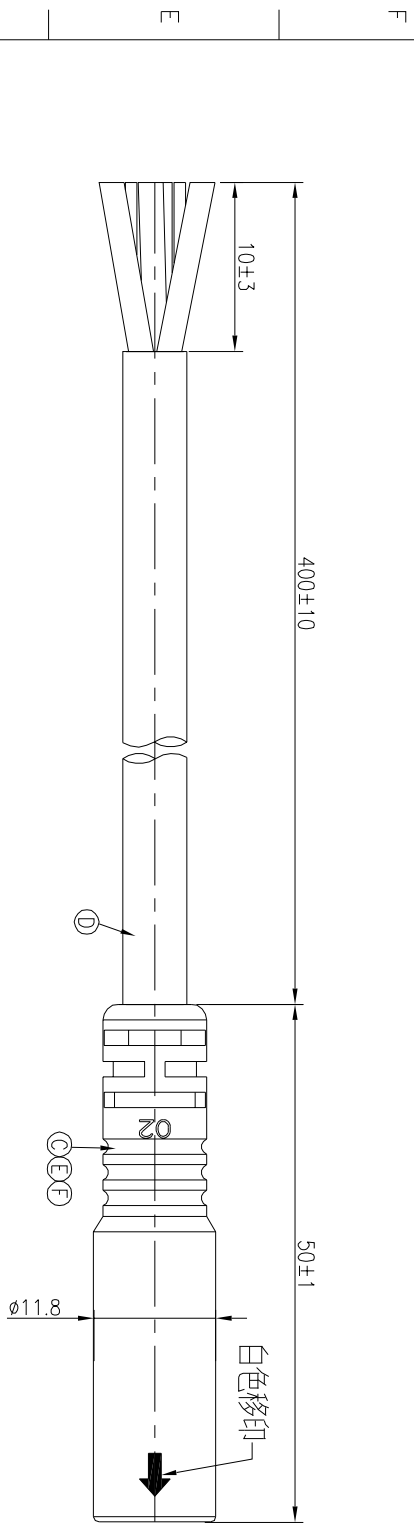
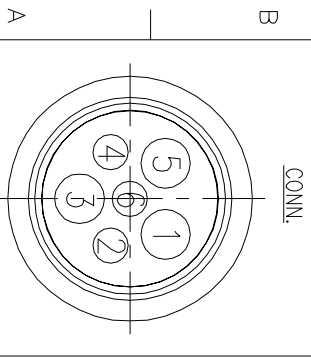


REV: A	ECN NO: PDR NO.:A190717-2A	OR DESCRIPTION	REVISION	DATE
			R2	2019.07.31

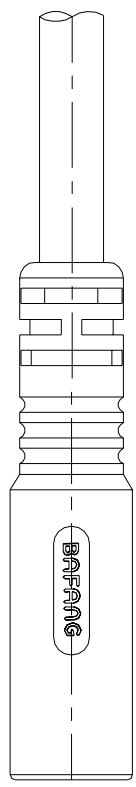


6	BLACK
5	YELLOW
4	WHITE
3	BLUE
2	RED
1	GREEN
CONN. WIRE COLOR	
PIN OUT	



Pin Assignments
Front View

A VIEW



- NOTES:
- ELECTRICAL CHARACTERISTICS:
 - 1-1 CURRENT RATING: (10+2) AMPS.
 - 1-2 CONTACT RESISTANCE: 3 Ohm Max.
 - 1-3 INSULATION RESISTANCE: 30 Mohm Min. at 500VDC.
 - 1-4 BREAKDOWN VOLTAGE: 800 VAC PER MINUTE.
 - ENVIRONMENTAL:
 - 2-1 OPERATING TEMPERATURE: -20°C TO +80°C.
 - 2-2 SEALING REQUIREMENTS: IP65.
 - SPECIFICATIONS: SEE "E-BIKE SERIES SPECIFICATIONS".
 - FOR TECHNICAL DATA REFER TO YOUR LOCAL SINGATRON ELECTRONICS SALES OFFICE.
 - ALL DIMENSIONS ARE NOMINAL FOR REFERENCE ONLY UNLESS OTHERWISE STATED.
 - TO CONFORM TO SINGATRON HAZARDOUS SUBSTANCE FREE SPEC.
 - GREEN PRODUCT IDENTIFICATION LABEL ON PACKAGING:

F	SHRINK TUBE	3	Ø1.5mm 300V	BLACK
E	INNER MOLD	1	PVC	BLACK
D	CABLE	1	1.5mm*3c+0.2mm*3c 006.2	BLACK(PVC JACKET)
C	OVER MOLD	1	TPU	BLACK
B	FEMALE PIN	6	Phosphor Bronze	1~3μ" GOLD PLATING OVER NICKEL PLATING
A	BODY	1	PA66+30%GF	BLACK
NO	DESCRIPTION	QTY	MATERIAL	PLATING & COLOR

UNLESS OTHERWISE SPECIFIED TOLERANCES		Singatron Enterprise Co., Ltd. 信音企業股份有限公司	
DECIMALS:	ANGLES:	TITLE	E-BIKE SERIES 180° 6 PIN FEMALE CONN.
X : ±0.5	X : ±2°	DMW	RZ
X.X : ±0.3	X.X : ±1°	CHKD	Cerry
X.XX : ±0.2		APVD	William
		PART NO. 2BB3004-W06975H	
		SCALE 2:1 UNIT: mm	
		SIZE: A3 SHEET: 1 OF 1 REV: A	

CUSTOMER COPY