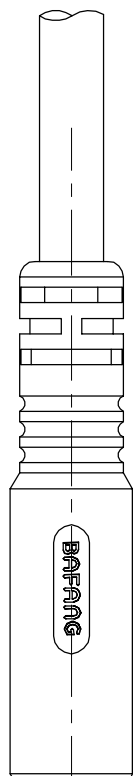
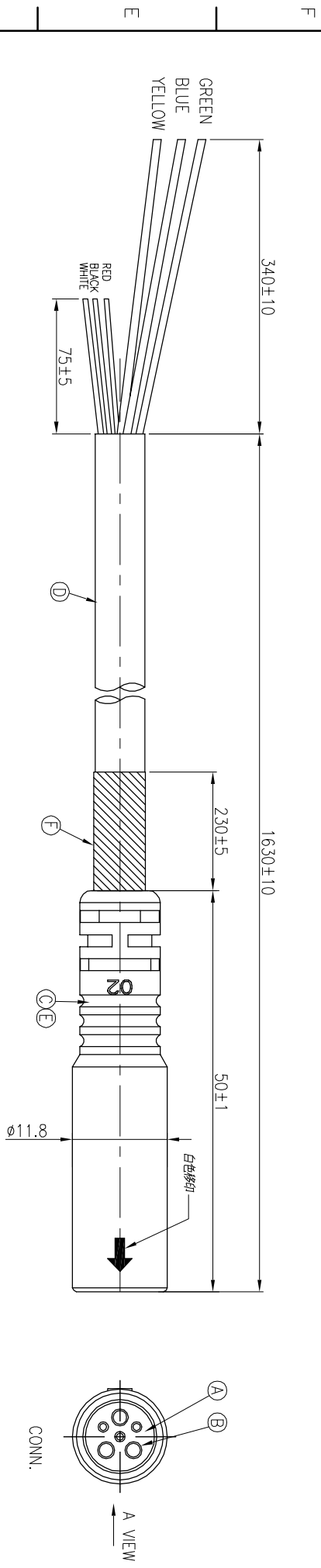
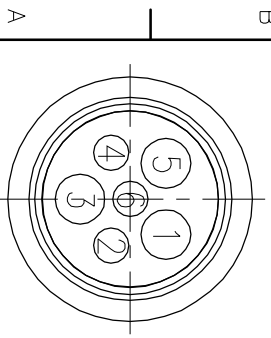


REV.	E/CN NO OR DESCRIPTION	REVISED	DATE
A	PDR NO:A200819-2A	RZ	2020.09.15



A VIEW

6	BLACK
5	YELLOW
4	WHITE
3	BLUE
2	RED
1	GREEN
CONN. WIRE COLOR	
PIN OUT	
CONN.	



- NOTES:
1. WATERPROOF RATE: IP65
 2. CURRENT RATING: 10A+2A
 3. CONTACT RESISTANCE: 3 Ohm Max.
 4. HI-POT TEST 800V AC, 5mA(1SEC)
 5. INSULATION RESISTANCE: 30Mohm MIN. BY 500V DC
 6. SPECIFICATIONS:SEE "E-BIKE SERIES SPECIFICATIONS".
 7. TO CONFORM TO THE SINGATRON HAZARDOUS SUBSTANCE FREE SPEC.
 8. GREEN PRODUCT IDENTIFICATION LABEL ON PACKAGING:

F	SHRINK TUBE	1	125C° 300V T=0.15mm	BLACK
E	INNER MOLD	1	PVC	NATURAL
D	CABLE	1	1.2mm*3C+0.2mm*3C 0D5.6	BLACK(PVC JACKET)
C	OVER MOLD	1	TPU	BLACK
B	FEMALE PIN	6	Phosphor Bronze	1~3μ" GOLD PLATING OVER NICKEL PLATING
A	BODY	1	PA66	BLACK
NO	DESCRIPTION	QTY	MATERIAL	PLATING & COLOR
UNLESS OTHERWISE SPECIFIED TOLERANCES				
Suzhou Singatron Auto Electronics CO.,LTD. 蘇州新特隆汽車電子有限公司				
TITLE		E-BIKE SERIES 180° 6 PIN FEMALE CONN.		
DECMALS:	ANGLES:	PART NO.2BB3004-W06977H		
X :±0.5	X :±2°	DMN	RZ	SCALE 2:1 UNIT: mm
X.X :±0.3	X.X :±1°	CHKD	Cerry	SHEET:1 OF 1 REV: A
X.XX :±0.2		APVD	William	

CUSTOMER COPY